

DE-21-001701/00 pos. 1

Helical Gear reducer – G series

Application given data

N.A.

Designation: R I 160 UP2A - 4,13 B6
 Mounting position B6, $n_1 = 1400$ [min⁻¹]

Standard product : Yes

Accessories and special designs

Reducer/Gearmotor specifications

Transmission ratio i		4,13
Output speed n_2	[min ⁻¹]	339
Input speed n_1	[min ⁻¹]	1400
Input power P_1	[kW]	N.A.
Output torque M_2	[N m]	N.A.
Service factor f_s		N.A.
Efficiency		0,98
Mass of gear reducer (without motor)	[kg]	148
Previsional lubricant quantity	[l]	13,7
ISO viscosity grade (T 10-40 °C)	[cSt]	150

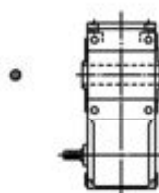
Nominal Data

Nominal input power P_{N1}	[kW]	194
Nominal output power P_{N2}	[kW]	190
Nominal output torque M_{N2}	[N m]	5360
Maximum output torque M_{2max}	[N m]	8576

Verifications

Safety factor on M_{2peak}	N.A.
Thermal power verification	N.A.
External loads verificaton	N.A.

Top view with M.P. B3



N.A: Not Applied

The results of calculations in this document have no validity in terms of warranty. Computing: a) are theoretical, b) are based on the assumptions for optimal working conditions specified on Rossi catalogues, c) they rely on the truthfulness of given input data for which the customer is the only responsible, d) any omitted data or not taken into account by the customer voids the entire report. All contents, and information in this document are sole property of Rossi S.p.A. It cannot be disclosed for purposes other than the scope for which it has been generated under the agreement between the Customer and an authorized Rossi representative. It cannot be reproduced (in whole or in part) without explicit written permission by Rossi S.p.A. legal representative, and in this case the intellectual property of the document remains solely of Rossi S.p.A.

Germany

Rossi GmbH
 e-mail: info.germany@rossi-group.com
www.rossi-group.com/germany

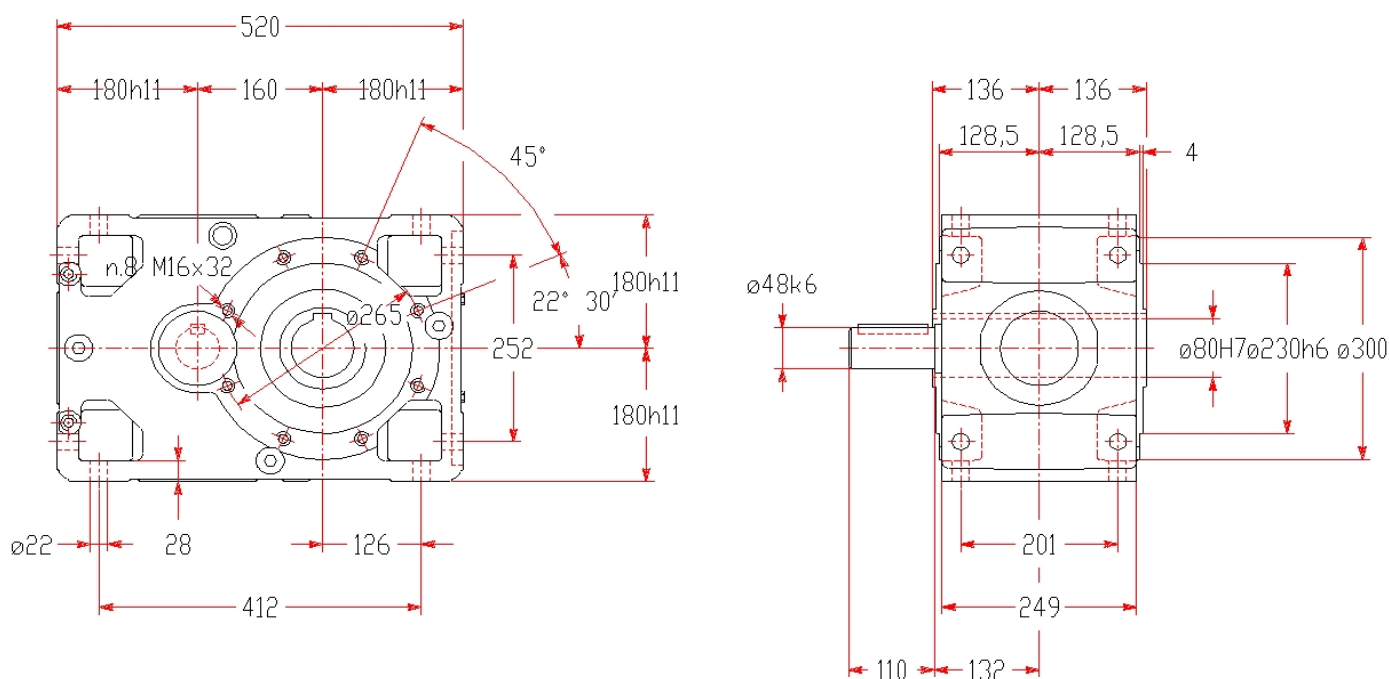
Rossi S.p.A.

Via Emilia Ovest 915/A - Modena - Italy
 Tel. 059 330288 - Fax 059 827774
info@rossi-group.com - www.rossi-group.com

DE-21-001701/00 pos. 1

Helical Gear reducer - catalogue G

Main Dimensions [mm] (only for standard gearbox, in case of non-standard design see the drawing on the next page)



Informations and warnings:

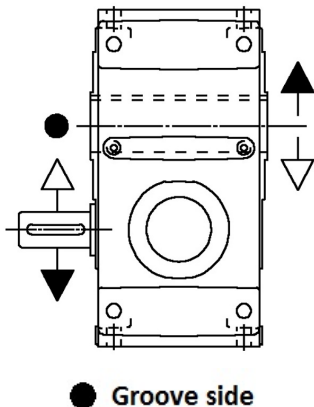
Mounting nuts: M20 UNI 5588. With screw UNI 5737, see pag. 370 Cat. G series

Moment of inertia (of mass): J_1 [kg m²] = 0,0167

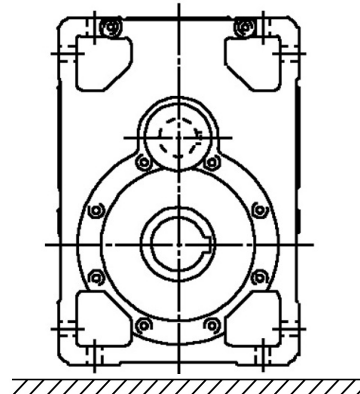
DE-21-001701/00 pos. 1

Helical Gear reducer - catalogue G

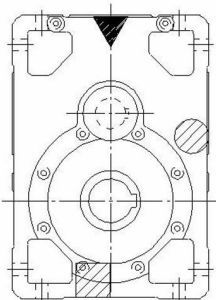
Design: UP2A



Mounting position: B6

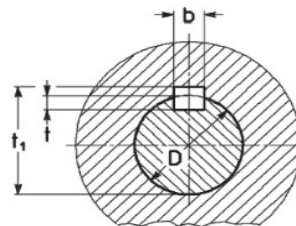


Plugs position (supplied without oil as standard)



- ▼ = filler plug (in view/not in view)
- = level plug (in view/not in view)
- = drain plug (in view/not in view)

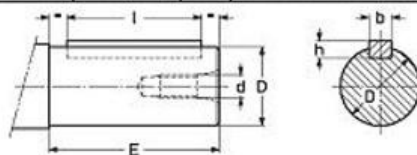
Standard hollow low speed shaft



D	b x h x l	b	t	t ₁
ø80 H7	22 x 14 x 200	22	9	85,4

High speed shaft: ø48k6

D	E	d	b x h x l	t ₀
ø38 k6	80 (58)	M10	10 x 8 x 70 (50)	41
ø48 k6	110 (82)	M12	14 x 9 x 90 (70)	52
ø55 m6	110	M12	16 x 10 x 90	59
ø60 m6	140 (105)	M16	18 x 11 x 110 (90)	64
ø70 m6	140 (105)	M16	20 x 12 x 125 (90)	75



The results of calculations in this document have no validity in terms of warranty. Computing: a) are theoretical, b) are based on the assumptions for optimal working conditions specified on Rossi catalogues, c) they rely on the truthfulness of given input data for which the customer is the only responsible, d) any omitted data or not taken into account by the customer voids the entire report. All contents, and information in this document are sole property of Rossi S.p.A. It cannot be disclosed for purposes other than the scope for which it has been generated under the agreement between the Customer and an authorized Rossi representative. It cannot be reproduced (in whole or in part) without explicit written permission by Rossi S.p.A. legal representative, and in this case the intellectual property of the document remains solely of Rossi S.p.A.

Germany
 Rossi GmbH
 e-mail: info.germany@rossi-group.com
 www.rossi-group.com/germany

Rossi S.p.A.
 Via Emilia Ovest 915/A - Modena - Italy
 Tel. 059 330288 - Fax 059 827774
info@rossi-group.com - www.rossi-group.com