

Variator: **K2**  
 Motor: **0.37 kW / 0.75 kW 4 p**  
 Reducer: **050-063-63A-085-110**

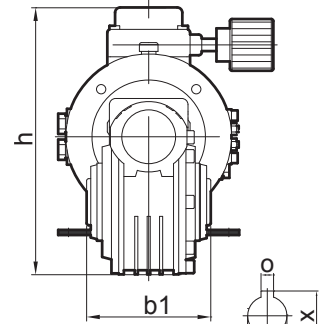
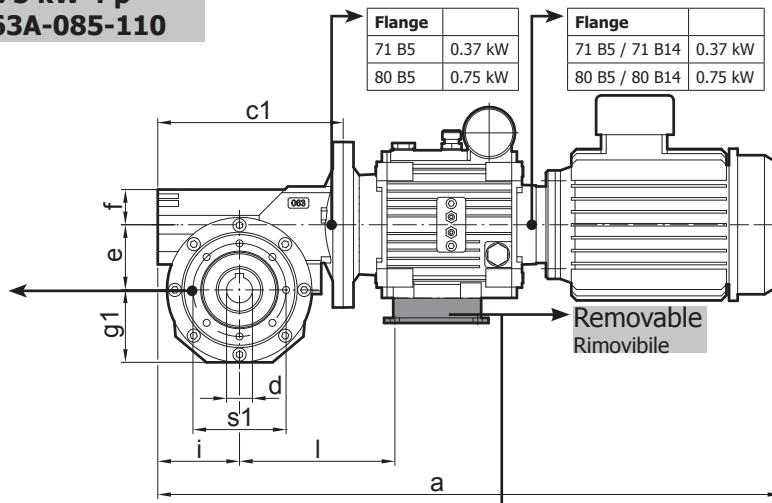
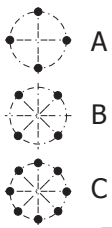
Worm gearboxes  
 Riduttori a vite senza fine

For other dimensions of the variator, see at pag 23,24  
 Per altre dimensioni del variatore, vedi a pag. 23,24

Weight / Peso Table pag. 15,19 and next / Tabella pag 15,19 e succ.

Fori montaggio / Mounting holes

<b>050</b>	nr. 4 M6x9	A
<b>063</b>	nr. 8 M8x17	C
<b>63A</b>	nr. 8 M8x17	C
<b>085</b>	nr. 4 M10x18	B
<b>110</b>	nr. 8 M12x19	C



Ø output shaft / Ø albero uscita

Gearbox	Shaft		
	d (H8)	o	x
<b>050</b>			
Standard	25	8	28.3
On request	24	8	27.3
<b>063</b>			
Standard	25	8	28.3
<b>63A</b>			
Standard	28	8	31.3
On request	30	8	33.3
<b>085</b>			
Standard	35	10	38.3
On request	38	10	41.3
<b>110</b>			
Standard	42	12	45.3
On request	45	14	48.8

Feet Kit options

A2	K2PIEDIA2
11	K2PIEDI11
A4	K2PIEDIA4
12	KEPIEDI12

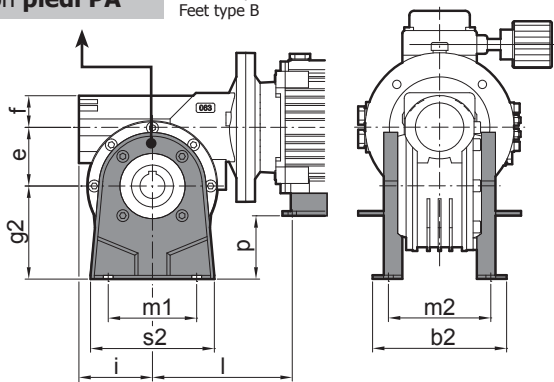
Gear box		0.37 kW 4p				0.75 kW 4p			
		a	c1	h	n	a	c1	h	n
		<b>050</b>	558	139.5	224	74.5	586	141.5	236
<b>063</b>	595	176.5	252	97.5	623	178.5	264	99.5	
<b>63A</b>	595	176.5	252	97.5	623	178.5	264	99.5	
<b>085</b>	634	216	299	116	662	218	311	118	
<b>110</b>	671	253	345	135.5	699	255	357	137.5	

Gear box	Feet →	0.37 kW 4p				0.75 kW 4p			
		l		p		l		p	
		A2	11	A2	11	A4	12	A4	12
<b>050</b>		117.7	124.5	49	37	126.5	138.5	30	22
<b>063</b>		140.7	147.5	80	68	149.5	161.5	61	53
<b>63A</b>		140.7	147.5	95	83	149.5	161.5	76	68
<b>085</b>		159.2	166	144	132	168.0	180.0	125	117
<b>110</b>		178.7	185.5	197	185	187.5	199.5	178	170

Gear box		b1	e	f	g1	i	s1
		<b>050</b>	81	50	31	54.5	65
<b>063</b>	120	63	37	70	79	90	
<b>63A</b>	120	63	37	70	79	90	
<b>085</b>	135	85	53	94.5	100	130	
<b>110</b>	155	110	53	116	117.5	165	

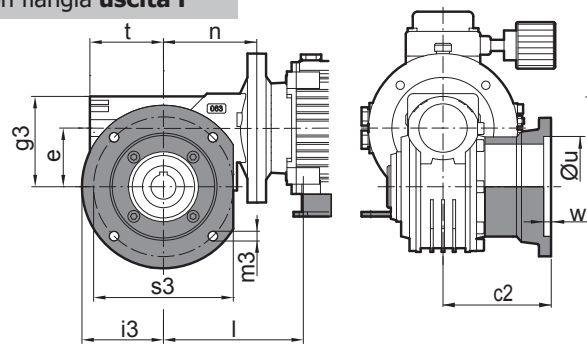
With feet PA  
 Con piedi PA

Piedino tipo B  
 Feet type B



Gear box		b2	g2	g3	i	m1	m2	s2	t
		<b>050</b>	123	82	81	65	63	98.5	113
<b>063</b>	144	100	100	79	95	111	133	79	
<b>63A</b>	142	115	100	79	120	115	156	79	
<b>085</b>	182	142	138	100	140	145	180	100	
<b>110</b>	224	170	163	117.5	200	180	240	117.5	

With F output flange  
 Con flangia uscita F



Gear Box	Flange FL	c2	i3	m3	s3	Øu	w
		<b>050</b>	114.5	61.5	10.5	90	70
<b>063</b>	116	87.5	11	150	115	7	
<b>63A</b>	111	100	13	165	130	7	
<b>085</b>	148.5	102.5	13	176	152	5	
<b>110</b>	179.5	135	13	230	170	11	

Gear Box	Flange FC	c2	i3	m3	s3	Øu	w
		<b>050</b>	85	61.5	10.5	90	70
<b>063</b>	86	87.5	11	150	115	7	
<b>63A</b>	85	100	13	165	130	7	
<b>085</b>	108	102.5	13	176	152	5	
<b>110</b>	131.5	135	13	230	170	11	