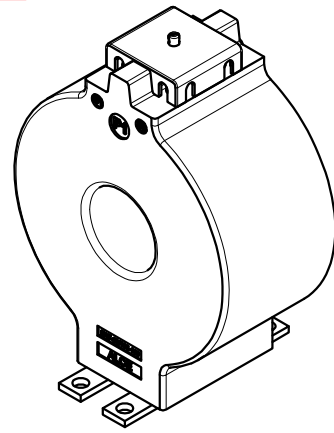
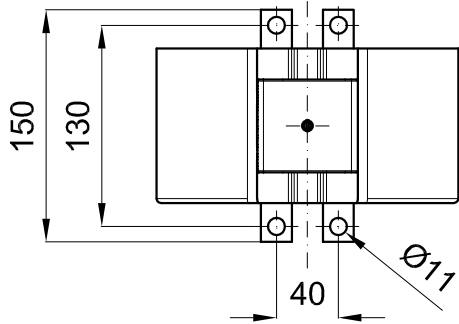



ORJINALDIR
TEKNİK BÜRO
Tarih 16/03/2012



QTY	DESCRIPTION	POS	DIMENSIONS	WEIGHT	PART OR DIN NO.	MATERIAL
				15-03-12	PLATE CODE	3002494
	TOLERANCES DIN 7168 g	KAT-60/195-100 L.V CURRENT TRANSFOMER			BOX CODE	M AYAK TES KA 5 REV.
	SCALE 1/1	REPLACES THE DRAWING NO. 5461_6			500_6 -	
						
OG Ölçü Trafo						
				DR'N		
				CH'D		
				APP'D		
				C.C	MT	