

**Fixed Point,  
Capacitance Level Sensor  
DIGISET - DSL4**

A fixed point level controller, of advanced design, for use with liquids, powders and granular solids.

The type DSL.4 level controller provides high, low, or intermediate level control of materials stored in silos, hoppers or other containers.

It incorporates a "power shield" circuit which automatically eliminates the effect of material sticking to the probe resulting in it responding only to true "probe covered" conditions.

Calibration is by means of a simple digital system. It provides a quick and accurate setting up procedure.

Digiset units are designed for both side and top entry into the container vessel. The stainless steel probe rod can be provided in lengths of 320mm, 1 metre or 2 metres. For applications requiring more than 2 metres, a 10 metre wire rope & end weight is available in stainless steel, which can be cut to any length on site.

Operation is direct from 110/230 volts 50/60Hz or 24 volts dc supplies. The output comprises a set of voltage free relay contacts. Fail-to-safe can be selected by a switch for either a high or low level mode. A simple timer (0 - 5 sec) is provided for use, typically, with splashing liquids to prevent spurious tripping.

- \* **Power Shield Compensation**
- \* **Simple Digital Calibration**
- \* **Operation from both AC and DC Supplies**
- \* **Top or Side Entry into the Storage Container**

# SPECIFICATION

<b>DIGISET DSL4</b>													
<b>SUPPLY</b>	110/230 volts AC 50/60Hz or 24 volts DC.												
<b>SUPPLY TOLERANCE</b>	-15%+10%												
<b>AMBIENT TEMPERATURE</b>	-15°C to +50°C												
<b>SENSITIVITY</b>	0.5 picofarad												
<b>OUTPUT</b>	1 set of voltage free relay change-over contacts rated at 3 amps 240 volts AC non-inductive												
<b>FAIL-to-SAFE</b>	High or low level mode, selected by a switch												
<b>CALIBRATION</b>	By 3 rotary, 10 position, digital switches												
<b>TIME DELAY</b>	Rotary adjustment 0-5 second maximum												
<b>INDICATOR</b>	LED probe covered (material detected) indicator												
<b>BUILD-UP COMPENSATION</b>	Power shield automatic compensation for material build-up on the probe												
<b>LOAD</b>	1.5VA												
<b>CABLE ENTRY</b>	Two 20mm conduit entries (one undrilled)												
<b>CONNECTIONS</b>	Screw terminal block												
<b>PROBE</b>	Stainless steel. Available in 320mm, 1m, 2m or 10m wire rope												
<b>ENCLOSURE</b>	Flame retardant, glass filled nylon enclosure												
<b>PROTECTION</b>	IP65												
<b>FUSING</b>	Supply should be fused at 5 amps max												
<b>WEIGHT</b>	<table style="display: inline-table; border: none;"> <tr> <td>DSL4 Probe Head 2Kg</td> <td>30cm rod</td> <td>250g</td> </tr> <tr> <td></td> <td>1 metre rod</td> <td>1.5Kg</td> </tr> <tr> <td></td> <td>2 metre rod</td> <td>3Kg</td> </tr> <tr> <td></td> <td>10 metre wire rope</td> <td>1.25Kg</td> </tr> </table>	DSL4 Probe Head 2Kg	30cm rod	250g		1 metre rod	1.5Kg		2 metre rod	3Kg		10 metre wire rope	1.25Kg
DSL4 Probe Head 2Kg	30cm rod	250g											
	1 metre rod	1.5Kg											
	2 metre rod	3Kg											
	10 metre wire rope	1.25Kg											

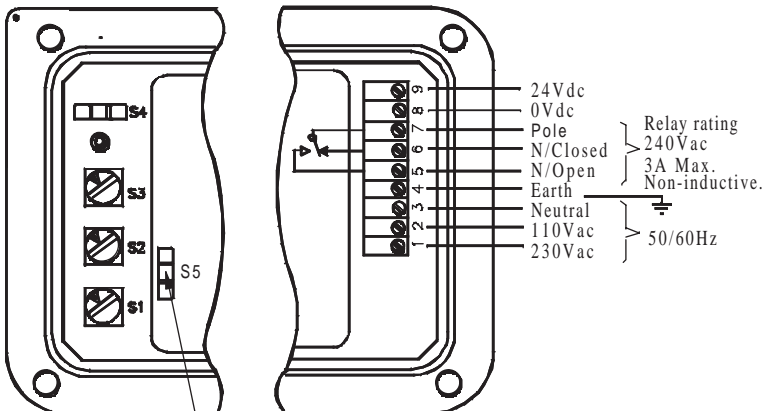
## HOW TO ORDER:-

1. Order **Digiset** type **DSL.4**.
2. Order **probe** required (see chart).

## CONNECTIONS

Part 1 - Switch Layout

Part 2 - Connections



Note: Sensitivity switch S5 located under black cover. Factory preset at LOW.

Probe Description	Order Code
320mm Stainless Steel Rod	822-005
1 metre Stainless Steel Rod	822-003
2 metre Stainless Steel Rod	822-004
10 metre Stainless Steel Wire Rope	823-004