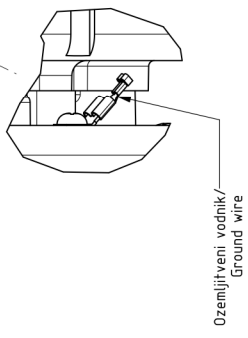
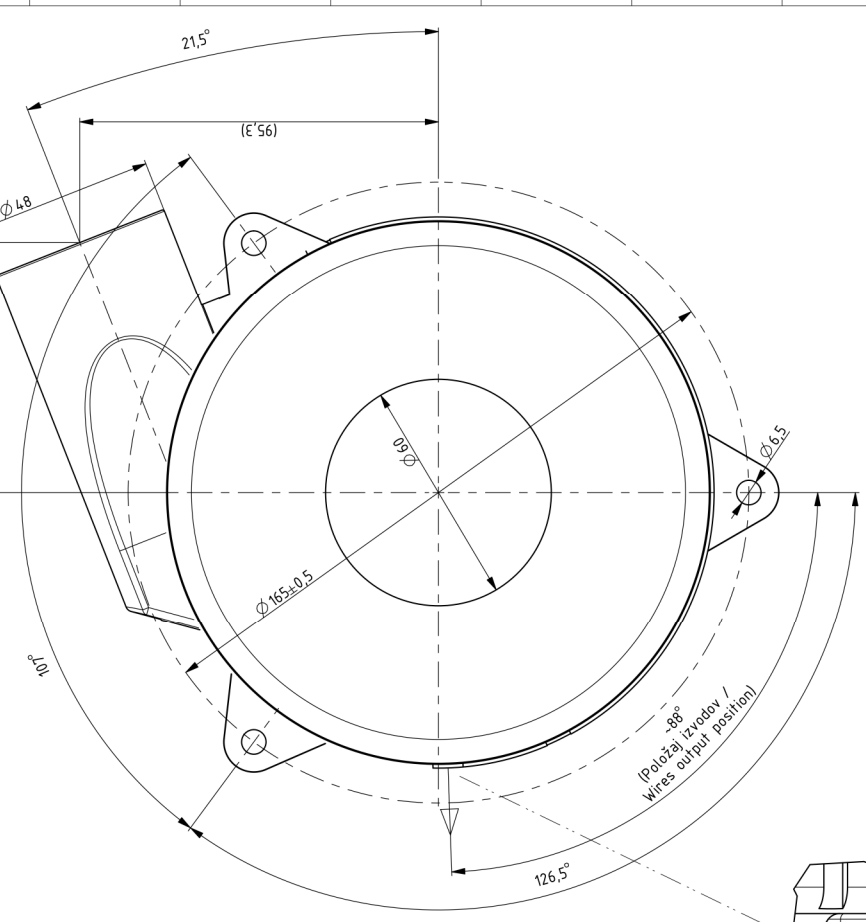
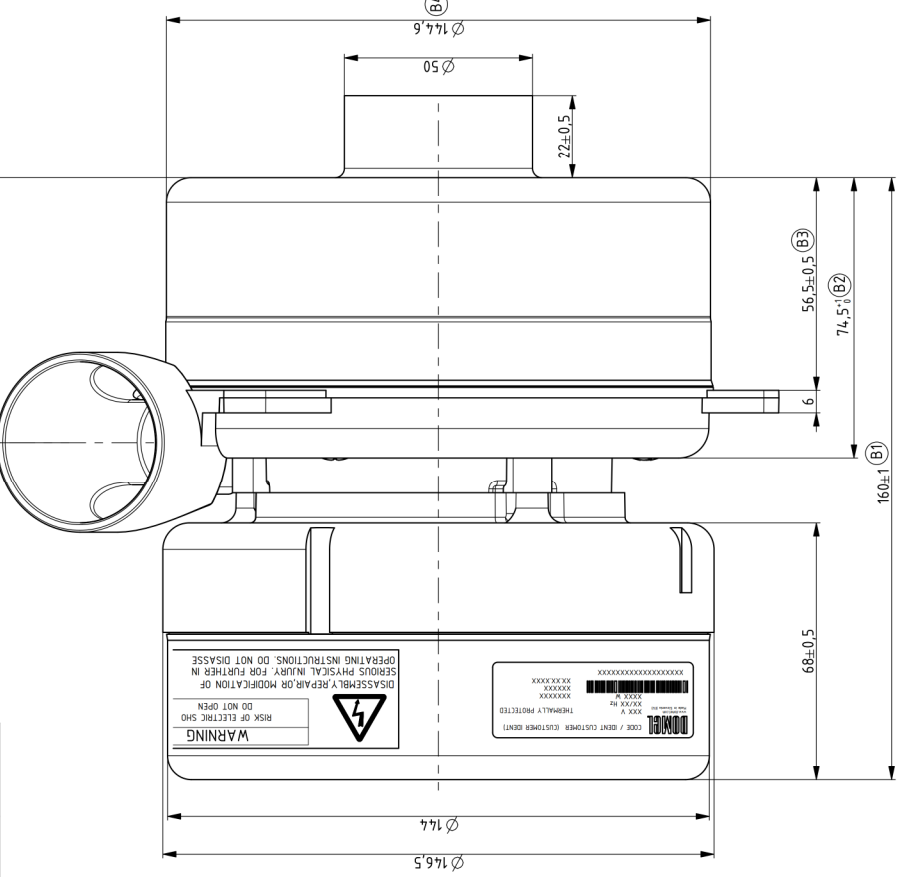
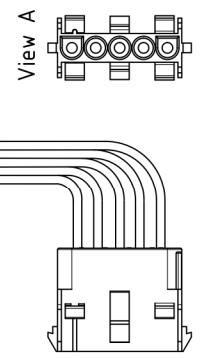


1	2	3	4	5	6	7	8	9	10	11	12	13	
1 NAPETOST VOLTAGE 230 V FREKVENCIA FREQUENCY 50/60 Hz NAZIVNA MOĆ NOMINAL POWER 1100 W		2 Ø 144 68±0,5 160±1 (B1)		3 70 6 56,5±0,5 (B3)		4 74,5±0,5 (B2)		5 Ø 50 22±0,5		6 Ø 144,6 (B4)		7 126,5°	



DOLŽINA VODNIKOV VKLJUČNO S KONEKTORJEM /
 WIRES OUTPUT INCLUDING CONNECTOR:
 250±30mm



OSNOVNE ZNAČILNOSTI	TYPICAL CHARACTERISTICS
IZVEDBA	DUAL STAGE
VLEŽAJENJE	FAN SYSTEM
VRSTA PRETOKA	BEARINGS
SMER VRTENJA	DISCHARGE BY PASS
	DIRECTION OF ROTATION
	CCW

PIN	COLOR	CONNECTION
5	black	AC INPUT 230V±10%
4	black	AC INPUT 230V±10%
3	ye-gr	EARTH
2	red	High
1	blue	Low

8 Original format ISO 3457 - A2 1:1 Magn. Scale Original / Material		9 Proješka Drawing Surface Finishing Koblar U. Koblar U. Datum/Date 01.06.12 09.03.16 Prej./Verified 09.03.16 Rihtaršič J.		10 Naziv Title Puhalo BLOWER		11 Koda Code 792.3.265-777		12 Let Sheet 3+ 1	
---	--	---	--	---	--	--	--	--------------------------------------	--

