



- A PART OF ADDTECH GROUP

## DATA SHEET

Customer:	
Ref.:	
Order:	
Motor:	
Serial nr:	
Date:	03-04-2018

### ASYNCHRONOUS MOTOR 3D3 180M-2

#### Nameplate data:

Code: 120612

Type:	3D3 180M-2			IP55	F/B	Amb. temp.: Max. 40°		
kW	Hz	V	A	Rpm	Cos	Eff. 100%	Duty	IE.class
22,00	50	230D	66,96	2955	0,89	92,8%	S1	IE3
22,00	50	400 Y	38,50	2955	0,89	92,8%		
26,40	60	460 Y	40,17	3546	0,89	92,8%		

#### Description:

Mounting form:	B3/B5
Bearing DE:	6311/C3
Bearing NDE:	6311/C3
Weight - Kg.:	210
Heater:	No Heater
PTC:	PTC mounted
Kgm <sup>2</sup> :	0,1183
Sound press.-db(A):	83,0

#### Other:


#### Test data S1-duty, Amb.temp 40°C:

Voltage - V:	400
Frequency - Hz:	50
Power - kW:	22,00
Full load speed - Rpm:	2955
Full load current - A:	38,50
Full load power factor - Cos:	0,89
Locked rotor current - A:	315,7
Locked rotor factor - A <sub>st</sub> /A <sub>n</sub> :	8,2

Efficiency 100% load - %:	92,8%
Efficiency 75% load - %:	92,6%
Efficiency 50% load - %:	91,4%
Full load torque - Nm:	71,1
Locked rotor torque - Nm:	142,3
Locked rotor torque - Nm <sub>st</sub> /Nm <sub>n</sub> :	2,0
Max. Pull out torque - Nm:	163,6
Max. Pull out torque. - Nm <sub>st</sub> /Nm <sub>n</sub> :	2,3

Over load/speed test	kW	Hz	V	A	Rpm
Over load 160% - 15sec.	35,20	50	400	61,60	2955
Over speed 125% - 2 min.	22	63	400	38,50	3694
H-Pot test voltage: 1800V			Temp. rise in stator:		

The motor is produced in accordance with following harmonized standards:

IEC60034-1, IEC60034-2, IEC60034-5, IEC60034-6, IEC60034-7, IEC60034-8, IEC60034-9  
IEC60034-12, IEC60034-14, IEC60034-30, IEC60072.

Additional specifications in accordance with:

RINA - GL - LRS - BV - DNV - ABS - KR - RR - CCS - CCC - RMRS.

#### Bevi Group:

BEVI AB, Sweden	www.bevi.se	sales@bevi.se	+46 499 271 00
BEVI Nord AB, Sweden	www.bevi.se	bevinord@bevi.se	+46 90 70 44 30
BEVI A/S, Denmark	www.bevi.dk	bevi@bevi.dk	+45 39 67 36 05
BEVI Norge A/S, Norway	www.bevi.no	info@bevi.no	+47 22 07 66 50
BEVI Finland OY AB, Finland	www.bevi.fi	info@bevi.fi	+358 9 2709 1210
BEVI Est Oü, Estonia	www.bevi.ee	bevi@bevi.ee	+372 6828 755
BEVI UAB, Lithuania	www.bevi.lt	info@bevi.lt	+370 5 2611 112
BEVI CHINA, China	www.bevi.cn	sales@bevi.cn	+86 21 5032 5200

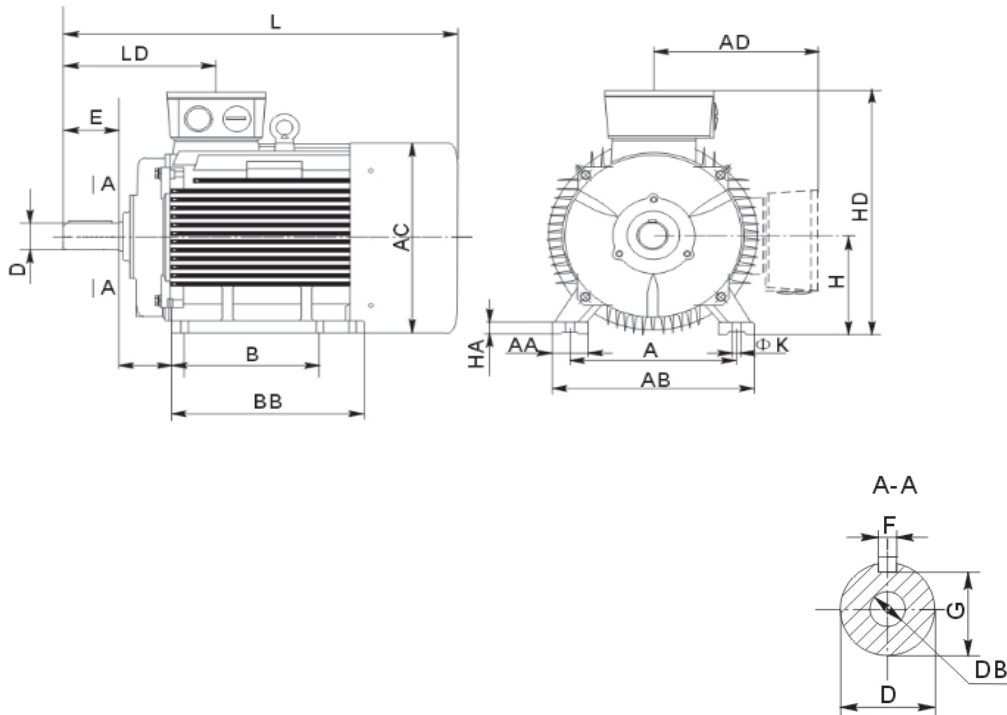


- A PART OF ADDTECH GROUP

## DATA SHEET

Customer:	
Ref.:	
Order:	
Motor:	
Serial nr:	
Date:	03-04-2018

### Foot mounted motor 3D3 180M-2 B3



A: 279	HD: 470	E: 110
B: 241	C: 121	D: 48
AB: 355	H: 180	G: 42,5
AC: 380	K: 14,5	DB: M16
AD: 310	L: 715	F: 14
	L (V1): 795	

#### Bevi Group:

BEVI AB, Sweden  
 BEVI Nord AB, Sweden  
 BEVI A/S, Denmark  
 BEVI Norge A/S, Norway  
 BEVI Finland OY AB, Finland  
 BEVI Est Oü, Estonia  
 BEVI UAB, Lithuania  
 BEVI CHINA, China

[www.bevi.se](http://www.bevi.se)  
[www.bevi.se](http://www.bevi.se)  
[www.bevi.dk](http://www.bevi.dk)  
[www.bevi.no](http://www.bevi.no)  
[www.bevi.fi](http://www.bevi.fi)  
[www.bevi.ee](http://www.bevi.ee)  
[www.bevi.lt](http://www.bevi.lt)  
[www.bevi.cn](http://www.bevi.cn)

[sales@bevi.se](mailto:sales@bevi.se)  
[bevinord@bevi.se](mailto:bevinord@bevi.se)  
[bevi@bevi.dk](mailto:bevi@bevi.dk)  
[info@bevi.no](mailto:info@bevi.no)  
[info@bevi.fi](mailto:info@bevi.fi)  
[bevi@bevi.ee](mailto:bevi@bevi.ee)  
[info@bevi.lt](mailto:info@bevi.lt)  
[sales@bevi.cn](mailto:sales@bevi.cn)

+46 499 271 00  
 +46 90 70 44 30  
 +45 39 67 36 05  
 +47 22 07 66 50  
 +358 9 2709 1210  
 +372 6828 755  
 +370 5 2611 112  
 +86 21 5032 5200

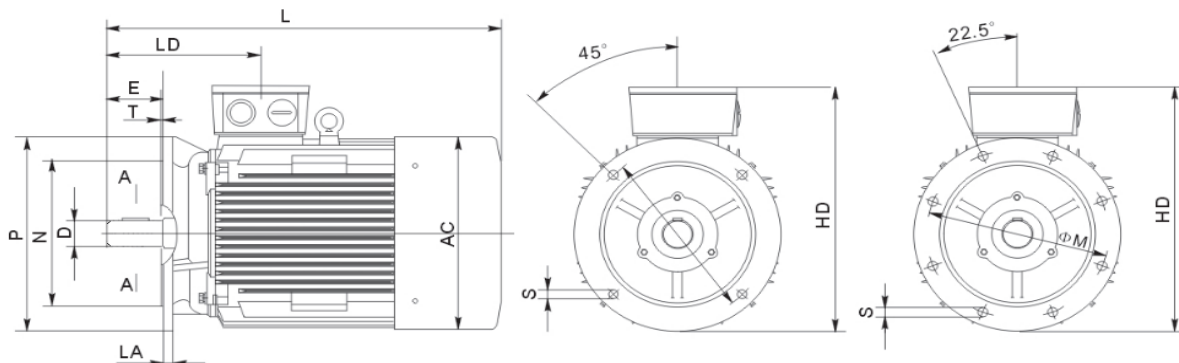


- A PART OF ADDTECH GROUP

## DATA SHEET

Customer:	
Ref.:	
Order:	
Motor:	
Serial nr:	
Date:	03-04-2018

### Flange mounted motor 3D3 180M-2 B5 (V1)



M: 300	HD: 470	E: 110
N: 250	L: 715	D: 48
P: 350	L (V1): 795	G: 42,5
S: 18,5		DB: M16
		F: 14

#### Bevi Group:

BEVI AB, Sweden  
 BEVI Nord AB, Sweden  
 BEVI A/S, Denmark  
 BEVI Norge A/S, Norway  
 BEVI Finland OY AB, Finland  
 BEVI Est Oü, Estonia  
 BEVI UAB, Lithuania  
 BEVI CHINA, China

www.bevi.se  
 www.bevi.se  
 www.bevi.dk  
 www.bevi.no  
 www.bevi.fi  
 www.bevi.ee  
 www.bevi.lt  
 www.bevi.cn

sales@bevi.se  
 bevinord@bevi.se  
 bevi@bevi.dk  
 info@bevi.no  
 info@bevi.fi  
 bevi@bevi.ee  
 info@bevi.lt  
 sales@bevi.cn

+46 499 271 00  
 +46 90 70 44 30  
 +45 39 67 36 05  
 +47 22 07 66 50  
 +358 9 2709 1210  
 +372 6828 755  
 +370 5 2611 112  
 +86 21 5032 5200

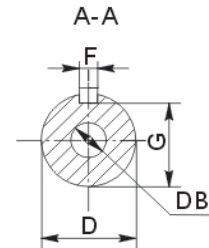
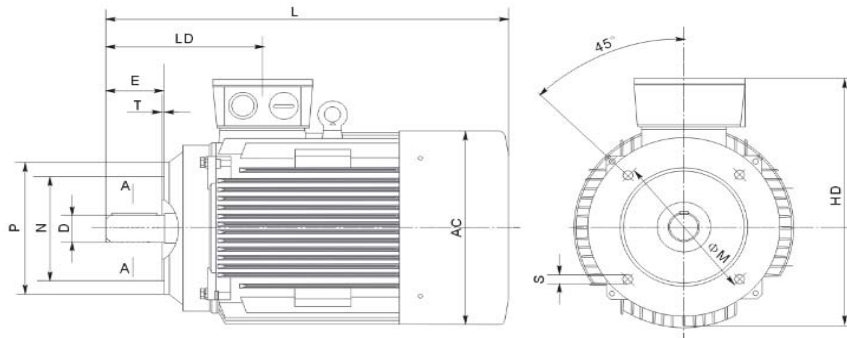


- A PART OF ADDTECH GROUP

## DATA SHEET

Customer:	
Ref.:	
Order:	
Motor:	
Serial nr:	
Date:	03-04-2018

### Flange mounted motor B14A & B14B



#### Flange type: B14A

M: 0  
N: 0  
P: 0  
S: 0

#### B14B

0  
0  
0  
0

HD: 470  
L: 715  
L (V1): 795

E: 110  
D: 48  
G: 42,5  
DB: M16  
F: 14

#### Bevi Group:

BEVI AB, Sweden  
BEVI Nord AB, Sweden  
BEVI A/S, Denmark  
BEVI Norge A/S, Norway  
BEVI Finland OY AB, Finland  
BEVI Est Oü, Estonia  
BEVI UAB, Lithuania  
BEVI CHINA, China

www.bevi.se  
www.bevi.se  
www.bevi.dk  
www.bevi.no  
www.bevi.fi  
www.bevi.ee  
www.bevi.lt  
www.bevi.cn

sales@bevi.se  
bevinord@bevi.se  
bevi@bevi.dk  
info@bevi.no  
info@bevi.fi  
bevi@bevi.ee  
info@bevi.lt  
sales@bevi.cn

+46 499 271 00  
+46 90 70 44 30  
+45 39 67 36 05  
+47 22 07 66 50  
+358 9 2709 1210  
+372 6828 755  
+370 5 2611 112  
+86 21 5032 5200

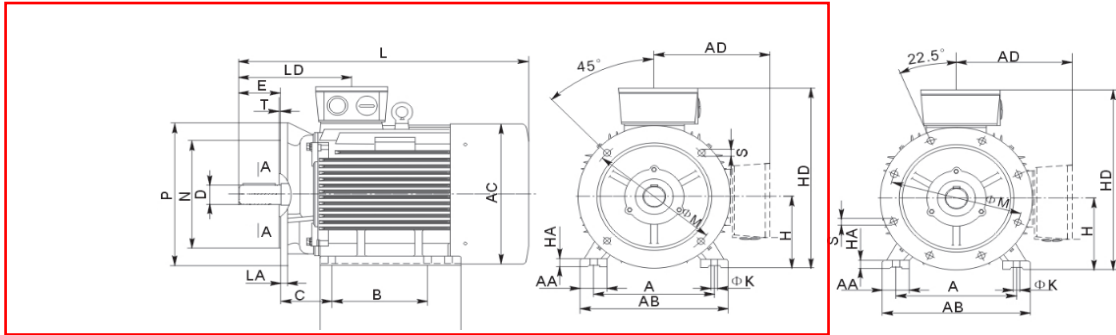


- A PART OF ADDTECH GROUP

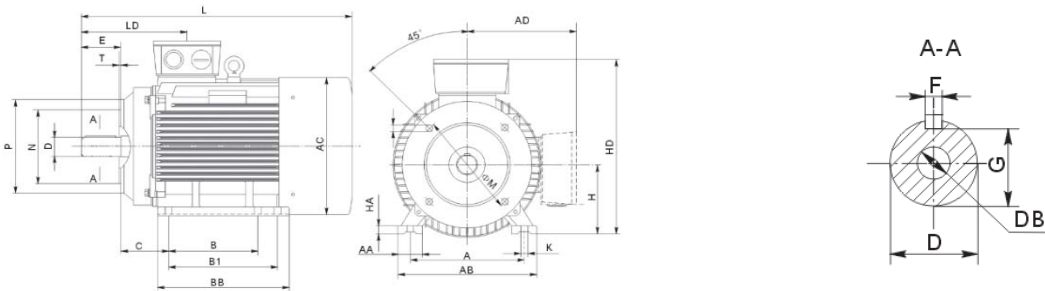
## DATA SHEET

Customer:	
Ref.:	
Order:	
Motor:	
Serial nr:	
Date:	03-04-2018

### Foot & flange mounted motor B3/B5



### B3/B14A & B3/B14B



<b>Flange type: B5</b>
M: 300
N: 250
P: 350
S: 18,5

	<b>B14A</b>	<b>B14B</b>
M:	0	0
N:	0	0
P:	0	0
S:	0	0
A:	279	E: 110
B:	241	D: 48
AB:	355	G: 42,5
AC:	380	DB: M16
AD:	310	F: 14
HD:	470	
C:	121	
H:	180	
K:	14,5	
L:	715	
L (V1):	795	

#### Bevi Group:

BEVI AB, Sweden  
 BEVI Nord AB, Sweden  
 BEVI A/S, Denmark  
 BEVI Norge A/S, Norway  
 BEVI Finland OY AB, Finland  
 BEVI Est Oü, Estonia  
 BEVI UAB, Lithuania  
 BEVI CHINA, China

www.bevi.se  
 www.bevi.se  
 www.bevi.dk  
 www.bevi.no  
 www.bevi.fi  
 www.bevi.ee  
 www.bevi.lt  
 www.bevi.cn

sales@bevi.se  
 bevinord@bevi.se  
 bevi@bevi.dk  
 info@bevi.no  
 info@bevi.fi  
 bevi@bevi.ee  
 info@bevi.lt  
 sales@bevi.cn

+46 499 271 00  
 +46 90 70 44 30  
 +45 39 67 36 05  
 +47 22 07 66 50  
 +358 9 2709 1210  
 +372 6828 755  
 +370 5 2611 112  
 +86 21 5032 5200