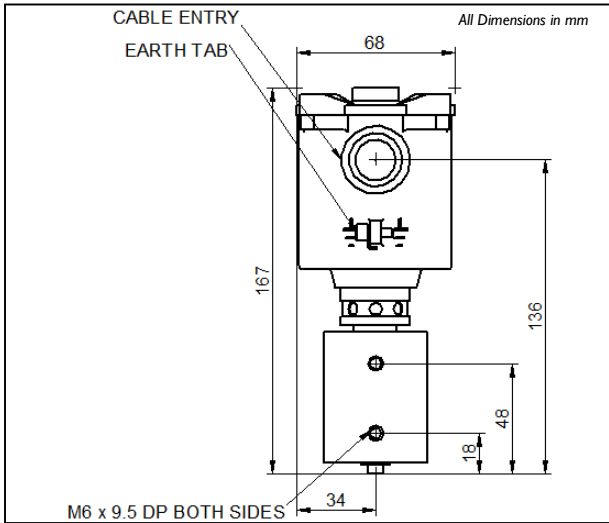
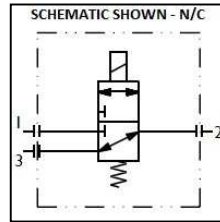


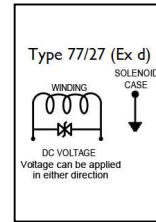
Dimensional Drawing



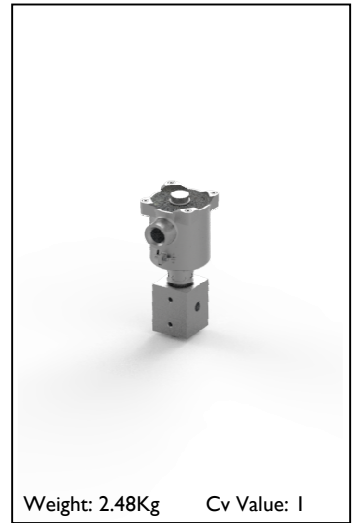
Schematic



Wiring



Rendering



Certification



FP10P-SI-04-32-NU-V-77A-24D-57

<b>FP10P</b>	Direct Acting Solenoid Valve	<b>Model Code</b>
<b>SI</b>	145 psi / 10 bar Maximum Valve Pressure	<b>Operator</b>
<b>04</b>	1/4" Body Ported - Stainless Steel	<b>Connections</b>
<b>32</b>	3-way, 2-position	<b>Valve Configuration</b>
<b>NU</b>	Normally Universal	<b>Valve Configuration</b>
<b>V</b>	Viton -20°C to +90°C	<b>O-ring Material</b>
<b>77</b>	Ex d	<b>Solenoid</b>
<b>A</b>	ATEX/IECEx Dual Certified/Labelled	<b>Solenoid Approval</b>
<b>24D</b>	24VDC	<b>Voltage</b>
	Auto Reset	<b>Options</b>
<b>57</b>	5.7 Watts	<b>Power</b>
	M20 x 1.5 Cable Entry	<b>Cable Entry</b>
	NPT Ports	<b>Port Type</b>
	No Identifier	<b>Identifier</b>
<b>FP10P -SI -04 -32 -NU -V -77 A -24D -57</b>		<b>Model Number</b>

Solenoid T-Rating

Ex d IIC Gb	T4 T135°C	(-60°C ≤ Tamb ≤ +90°C)
Ex tb IIIC Db	T5 T100°C	(-60°C ≤ Tamb ≤ +55°C)
	T6 T85°C	(-60°C ≤ Tamb ≤ +40°C)

This is a bespoke datasheet. For further details on the complete range, please refer to catalogue: Direct & Indirect Acting Solenoid Valves Models FP03P, FP06P, FP10P, FP12P, BXS & SPR

**Accuracy of information**  
We take care to ensure that product information in this catalogue is reasonably accurate and up-to-date. However, our products are continually developed and updated so to ensure accurate and up-to-date information please refer to the product catalogue issue list on our web site or contact a member of our sales team.

When selecting a product, the applicable operating system design must be considered to ensure safe use. The products function, material compatibility, adequate ratings, correct installation, operation and maintenance are the responsibilities of the system designer and user.

**Quality Assurance**  
All Bifold products are manufactured to a most stringent QA programme to ensure that every product will give optimum performance and reliability. We are third party certified to BS EN ISO 9001:2008. Functional test certificate, letter of conformity and copies of original mill certificates, providing total traceability are available on request, to BS EN 10204 3.1 where available. We reserve the right to make changes to the specifications and design etc., without prior notice.