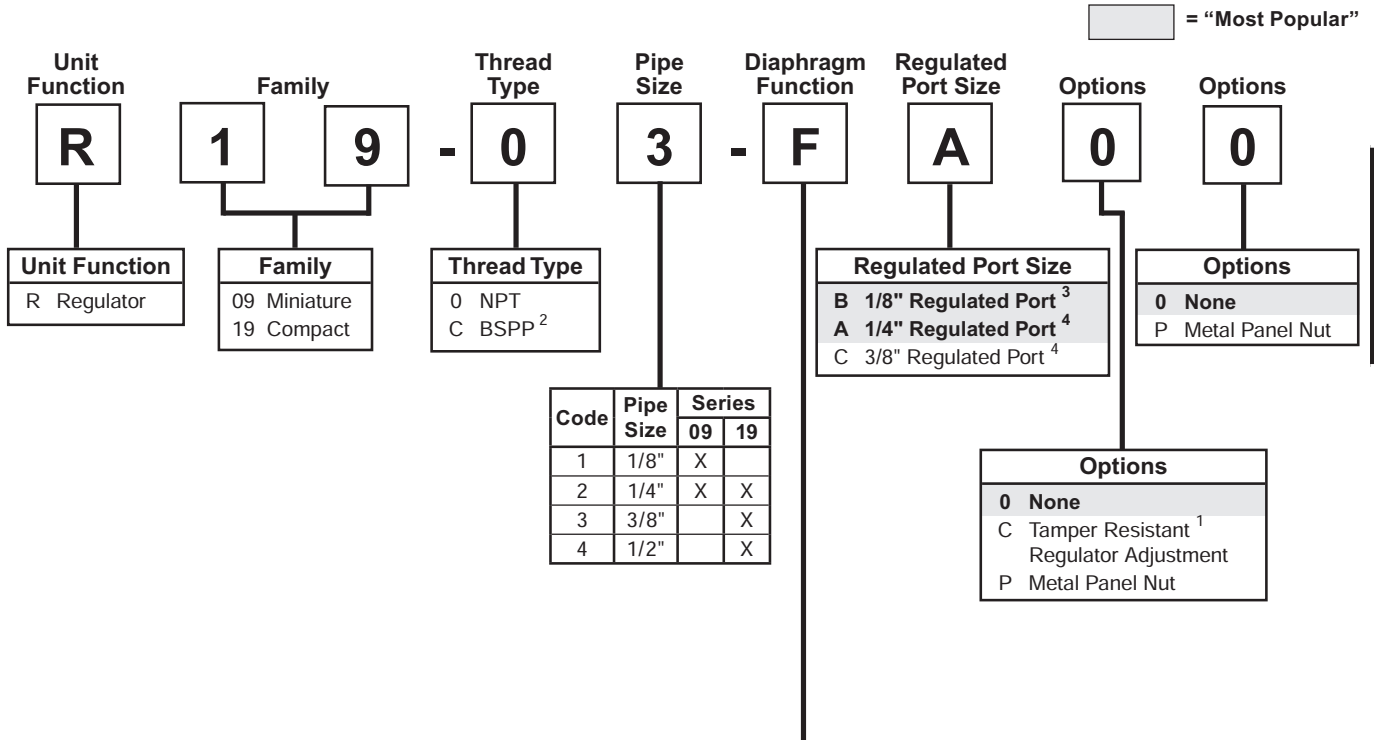


Common-P1 Regulator Numbering System



Diaphragm Function	Fluorocarbon	Spring Range			
		0 to 30 PSIG (0 to 2.1 bar)	0 to 60 PSIG (0 to 4.1 bar)	0 to 125 PSIG (0 to 8.6 bar)	0 to 250 PSIG ⁴ (0 to 17.2 bar)
Relieving	No	C	D	F	G
	Yes	J	K	L	M
Non-relieving	No	P	W	R	S
	Yes	V	X	Y	Z

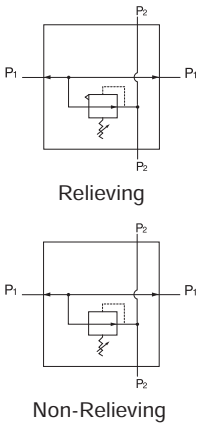
¹ Tamper kit not installed. Kit is shipped loose in carton.
² ISO, R228 (G Series).
³ Not available on R19.
⁴ Not available on R09.

Note: When selecting from the options columns, please enter letters in alphabetical order, for example:

R 1 9 - 0 3 - F A 0 0.

Common-P1 Regulator R09

 = "Most Popular"



R09-02-FB00

Features

- Balanced Valve Design
- 2 Regulated Ports
- Ease of Maintenance of Serviceability
- Light Weight
- Modern Design and Appearance

Specifications

Flow Capacity*	1/8	27.0 SCFM (12.7 dm ³ /s)
	1/4	28.5 SCFM (13.4 dm ³ /s)
Adjusting Range Pressure	0 to 30 PSIG (0 to 2.1 bar)	
	0 to 60 PSIG (0 to 4.1 bar)	
	0 to 125 PSIG (0 to 8.6 bar)	
Maximum Supply Pressure	300 PSIG (20.7 bar)	
Operating Temperature	32° to 150°F (0° to 65.5°C)	
P1 Port Size (Inlet / Outlet)	NPT / BSPP-G	1/8, 1/4
P2 Regulated Ports (2 ea.)	NPT / BSPT-Rc	1/8
Weight	lb. (kg)	.66 (0.3)

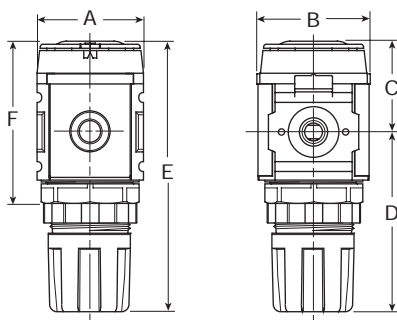
* Inlet pressure 100 PSIG (6.9 bar). Secondary pressure 90 PSIG (6.2 bar).

Materials of Construction

Adjustment Knob	Acetal
Body	Zinc
Body Cap	ABS
Bonnet	33% Glass-filled PBT
Bottom Plug	33% Glass-filled Nylon
Diaphragm Assembly	Brass / Nitrile
Valve Assembly	Brass / Nitrile

WARNING

**Product rupture can cause serious injury.
Do not connect regulator to bottled gas.
Do not exceed maximum primary pressure rating.**



CAUTION:

REGULATOR PRESSURE ADJUSTMENT – The working range of knob adjustment is designed to permit outlet pressures within their full range. Pressure adjustment beyond this range is also possible because the knob is not a limiting device. This is a common characteristic of most industrial regulators, and limiting devices may be obtained only by special design.

For best performance, regulated pressure should always be set by increasing the pressure up to the desired setting.

NOTE: 1.25" Dia. (31.8 mm) hole required for panel nut mounting.

Dimensions

Models	Inches (mm)	A	B	C	D	E	F
Standard Common-P1 Unit R09-XX-FB00		1.58 (40)	1.58 (40)	1.34 (34)	2.60 (66)	3.94 (100)	2.40 (61)

Replacement Kits

- Diaphragm Assembly –
 - Non-relieving GRP-96-726
 - Relieving GRP-96-725
- Spring, Regulating –
 - 0 to 30 PSIG (0 to 2.1 bar) GRP-95-111
 - 0 to 60 PSIG (0 to 4.1 bar) GRP-96-718
 - 0 to 125 PSIG (0 to 8.6 bar) GRP-96-717
- Valve Assembly RRP-96-727
- Valve Spring RRP-96-728

Accessories

- Gauge, Pressure, 0 to 60 PSIG (0 to 4.1 bar),
 - 1" Dial Face, 1/8 NPT, CBM K4510N18060
- Gauge, Pressure, 0 to 160 PSIG (0 to 11.0 bar),
 - 1" Dial Face, 1/8 NPT, CBM K4510N18160
- Panel Mount Nut –
 - Aluminum RPA-96-733
 - Plastic RPA-96-734
- Tamper Resistant Kit RPA-96-735
- Wall Mounting Bracket –
 - C-Type GPA-97-010
 - L-Type GRP-96-739
 - T-Type GPA-96-737

NOTE: Gauge not included, order separately by accessory number.



Typical Application

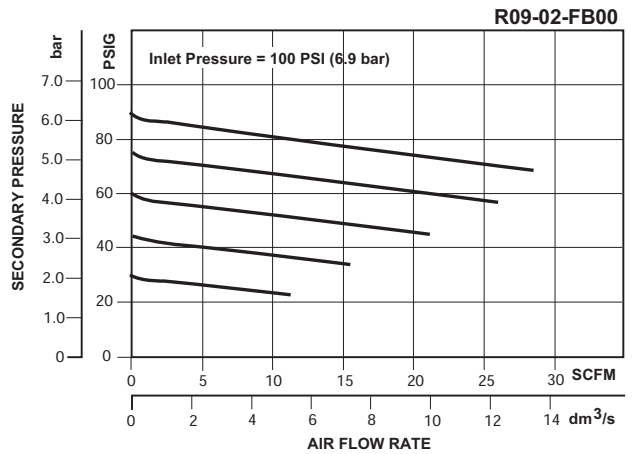
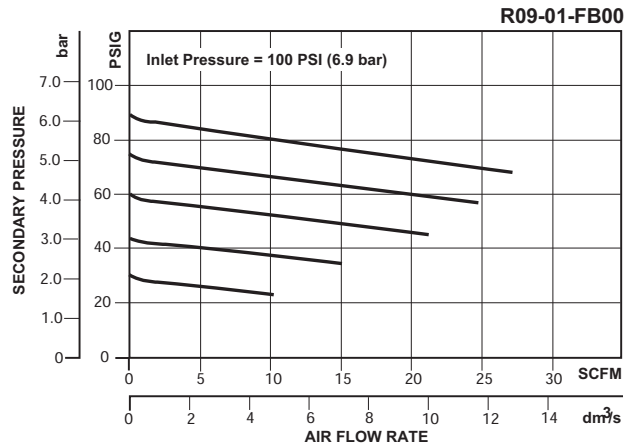
Ordering Information

All P2 Regulated Ports are 1/8"

Model Type	P1 Port Size	Without Gauge 0 to 125 PSIG 0 to 8.6 bar	Without Gauge 0 to 30 PSIG (0 to 2.1 bar)	Without Gauge 0 to 60 PSIG (0 to 4.1 bar)
Relieving	1/8	R09-01-FB00	R09-01-CB00	R09-01-DB00
	1/4	R09-02-FB00	R09-02-CB00	R09-02-DB00
Non-relieving	1/8	R09-01-RB00	R09-01-PB00	R09-01-WB00
	1/4	R09-02-RB00	R09-02-PB00	R09-02-WB00

Options - To order an option supplied with the unit model, add the appropriate coded suffix letter in the designated position of the model number.

= "Most Popular"



B