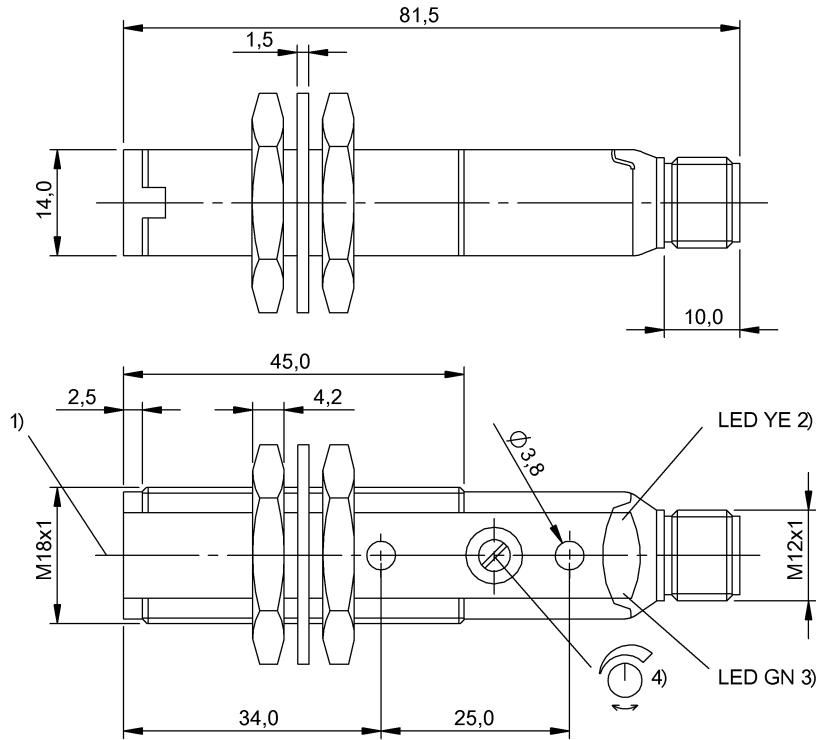
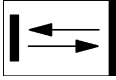


BOS 18KF-PA-1PE-S4-C
Ordering code: BOS00K1

Diffuse sensor
 Light scanner, energetic
 Series 18KF
 bis 700 mm

PNP (2x), NO-NC (pins 4-2)
 Infrared
 DC, direct current

BALLUFF
 sensors worldwide



Characteristic data

Short-circuit protected	yes
Degree of protection as per IEC 60529	IP67
Protection class	II
Protected against polarity reversal	yes
Indicator	Stability - LED GN
Setting	Switching distance (Sn)
Adjuster	Potentiometer 270° (1x)
Switching freq. f max.	1000 Hz

Optical data

Switching function, optical	NO light-on - NC dark-on
Light type	Infrared
Wavelength	880 nm
Ambient light max.	5,000 Lux

Electrical data

Operating voltage	24 V
Rated operating voltage Ue DC	100 mA
Effective operating current Ie	75 V DC V
Rated insulation voltage Ui	8 %
Ripple max. (% of Ue)	PNP (2x)
Switching output	

Switching function	NO-NC (pins 4-2)
Turn-off delay toff max.	0,5
Turn-on delay ton max.	0,5
No-load current max. Io at Ue	35
Voltage drop Ud max. (at Ie)	2

Mechanical data

Connector type	M12x1-S04
Eff. switching distance Sr	700 mm
Shock rating	Half-sinus, 30gn, 11ms, 3x6
Vibration rating	10-55 Hz, 0.5mm ampl., 3x30min
Ambient temperature	-25...55 °C
Sensing surface material	PMMA
Housing material	PBT
Mounting type	Nut M18x1

Design	Flat cylinder, straight optics
Capture range Sd	0...700 mm
Beam characteristic	Divergent
Range Sn	Sn = 700 mm, adjustable
Minimum operating distance	0 mm

Basic data

Connection	Connector, M12x1-S04
------------	----------------------

BOS 18KF-PA-1PE-S4-C
Ordering code: BOS00K1

Diffuse sensor
Light scanner, energetic
Series 18KF
bis 700 mm

PNP (2x), NO-NC (pins 4-2)
Infrared
DC, direct current

BALLUFF
sensors worldwide

Basic standard IEC 60947-5-2
The sensor is functional again after the overload has been eliminated.
Reference object (target): Gray card, 200 x 200, 90 % remission, axial approach.
With connector, e.g. BKS-S 20-... total length = switch length + 18 mm.
For additional information, refer to user's guide.
Order accessories separately.



Definitions see main catalog

subject to change

