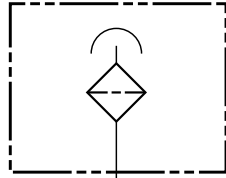


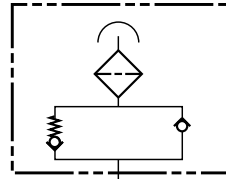
BF...3 & BF...4 Series



Hydraulic Symbols



standard



with relief valve (BF3 only)

Specifications

- Maximum flow rate - 31 scfm / 230 gpm at 0.04 bar
- Epoxy coated steel cap
- Zinc-plated internals
- 3 or 10 micron
- Threaded connection
- Pressurized breather with relief valve (optional - BF3 only)
- Phenolic resin impregnated filter element

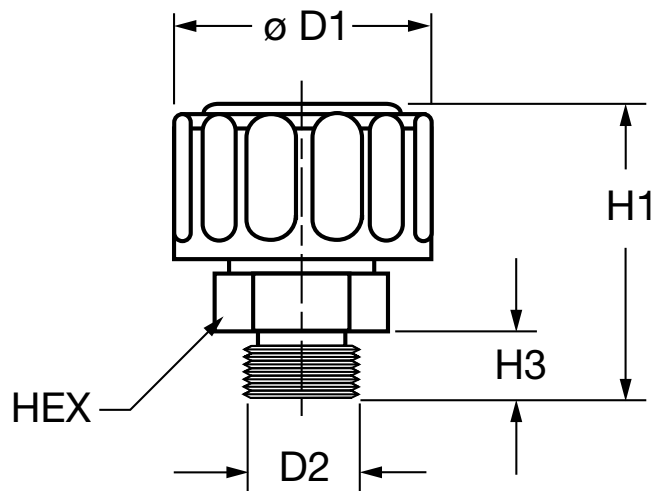
Model Code

Filter Type	BF	P	3	G	10	W	1.0	/
BF = Breather								
Filter Element Material		P						
P = Phenolic Resin Impregnated Paper								
Size			3					
3 = 31 scfm (230 gpm) max.								
4 = 12 scfm (90 gpm) max.								
Type of Connection				G				
G = Threaded								
Filtration Rating (micron)					10			
3 = 3µm Air Filtration								
10 = 10µm Air Filtration								
Gauge Options						W		
W = Without Indicator								
Modification Number							1.0	/
Connection Type								
G (BSPP)								
Thread								
Rel. Press.								
N (NPT)								
Thread								
Rel. Press.								
BF 3...1.0 = G 3/4								
BF 3...2.0 = G 3/8								
BF 3...3.0 = G 1/2								
BF 3...4.0 = G 3/4		0.4 bar						
BF 3...5.0 = G 3/4		0.7 bar						
BF 3...6.0 = G 3/4		0.2 bar						
BF 4...1.0 = G 1/4		-						
Supplementary Details								
(omit) = standard								
RV = Relief Valve (for use on pressurized tanks) (BF3 only)								

Model Codes containing selections listed in RED italics are non-standard items – Minimum quantities will apply
Contact HYDAC for information and availability

Not all combinations are available

Dimensions

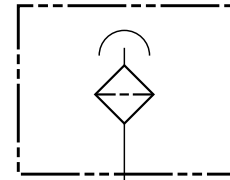


Size	ø D1	D2 (male)	H1	H3	HEX
BF 3...1.0	2.99"	G 3/4	3.11"	0.63"	1 7/16"
BF 3...RV	(76mm)	(ISO 228)	(79mm)	(16mm)	(36mm)
BF 3...2.0	2.99"	G 3/8	2.83"	0.47"	7/8"
	(76mm)	(ISO 228)	(72mm)	(12mm)	(22mm)
BF 3...3.0	2.99"	G 1/2	2.99"	0.55"	1 1/16"
	(76mm)	(ISO 228)	(76mm)	(14mm)	(27mm)
BF 4...1.0	1.73"	G 1/4	2.44"	0.53"	11/16"
	(44mm)	(ISO 228)	(62mm)	(13.5mm)	(17mm)

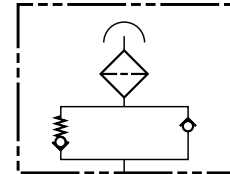
BF...10 Series



Hydraulic Symbols



standard



with relief valve

Specifications

- Maximum Flow Rate 13 scfm / 100 gpm at 0.04 bar
- Durable synthetic material (PA6)
- Filtration Rating 3 μ m
- Buna N O-Ring
- Optional dipstick (contact factory)
- Optional customer logo (contact factory)
- Optional pressurized breather with relief valve
- Optional anti-splash device
- -22° to 212°F (-30° to 100°C)
- Phenolic resin impregnated filter element

Model Code

	BF	P	10	G	3	W	1.0	/ - RV0.4
Filter Type	_____							
BF = Breather								
Filter Element Material	_____							
P = Phenolic Resin Impregnated Paper								
Size	_____							
10								
Type of Connection	_____							
G = BSPP								
N = NPT								
U = SAE								
M = Metric threads								
Filtration Rating (micron)	_____							
3 = 3 μ m Air Filtration								
Gauge Option	_____							
W = Without Indicator								
Modification Number	_____							
	Connection Type							
	G (BSPP)	N (NPT)	U (SAE)	M (Metric)				
1.0 = G 1/4	1/2 NPT	-	M22x1.5					
2.0 = G 1/2	-	-	M18x1.5					
3.0 = -	-	SAE-12	-					

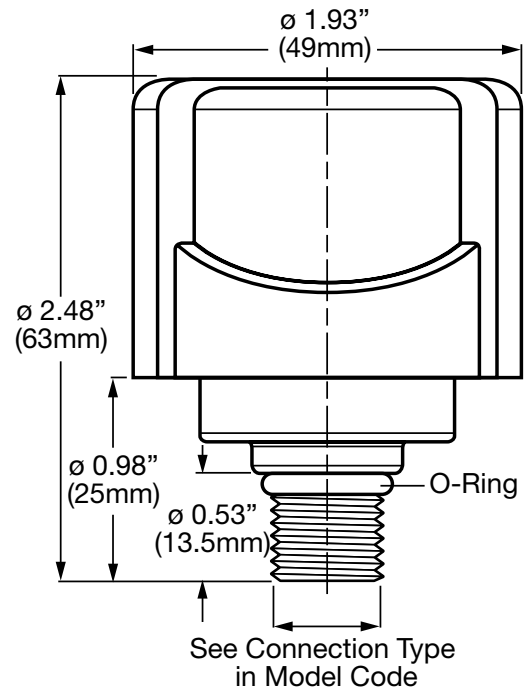
Options

- (omit) = None
- RV0.2 = Relief Pressure 3 psi (0.2 bar)
- RV0.4 = Relief Pressure 6 psi (0.4 bar)
- RV0.7 = Relief Pressure 10 psi (0.7 bar)
- AS = Anti-splash protection (only for version without RV)

Model Codes containing selections listed in RED italics are non-standard items – Minimum quantities will apply
Contact HYDAC for information and availability

Not all combinations are available

Dimensions

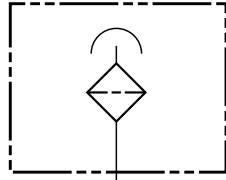


Dimensions are for general information only, all critical dimensions should be verified by requesting a certified print.
Dimensions are in inches/(mm) and lbs./(kg.)

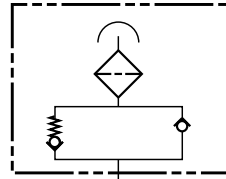
BF...30 Series



Hydraulic Symbols



standard

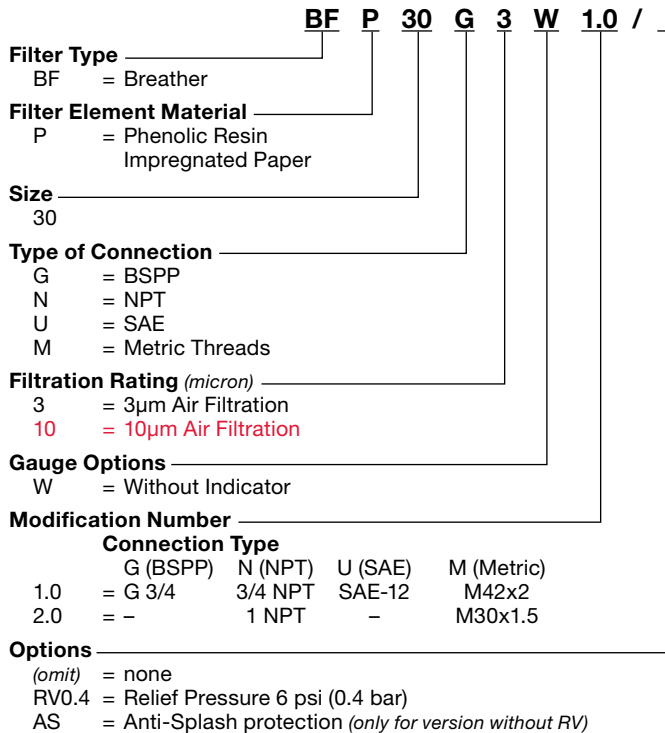


with relief valve

Specifications

- Maximum flow rate - 31 scfm / 230 gpm at 0.04 bar
- Durable synthetic material (PA6)
- 3 or 10 micron
- Buna N O-Ring
- Threaded breather connection
- Optional dipstick (*contact factory*)
- Optional customer logo (*contact factory*)
- Optional pressurized breather with relief valve
- Optional anti-splash device
- -22° to 212°F (-30° to 100°C)
- Phenolic resin impregnated filter element

Model Code

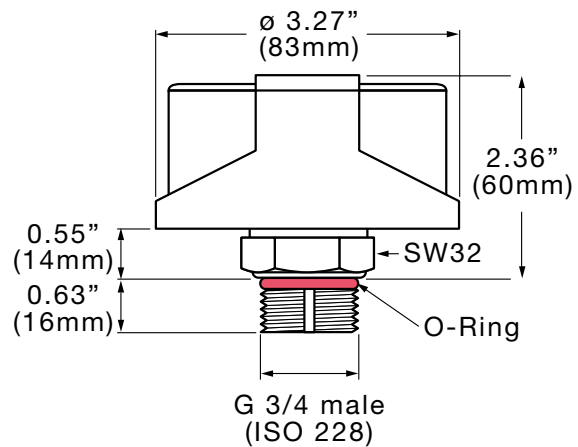


Model Codes containing selections listed in RED italics are non-standard items – Minimum quantities will apply

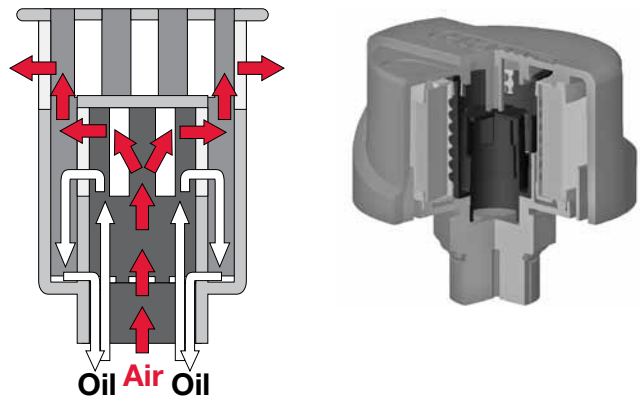
Contact HYDAC for information and availability

Not all combinations are available

Dimensions



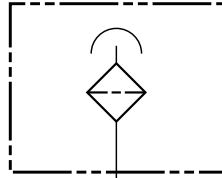
Anti-Splash



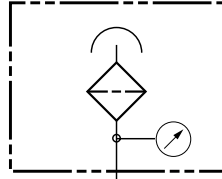
BF...7 Series



Hydraulic Symbols



standard

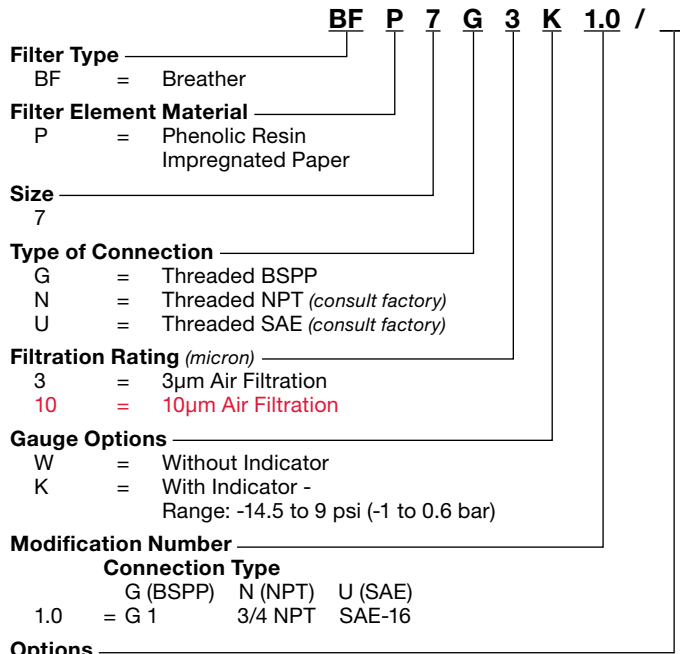


with indicator

Specifications

- Maximum flow rate - 63 scfm / 475 gpm at 0.04 bar
- Durable synthetic material (PA6)
- 3 or 10 micron
- Replaceable element Phenolic resin impregnated paper
- Threaded breather cap connection
- Differential gauge (optional)
- -22° to 212°F (-30° to 100°C)

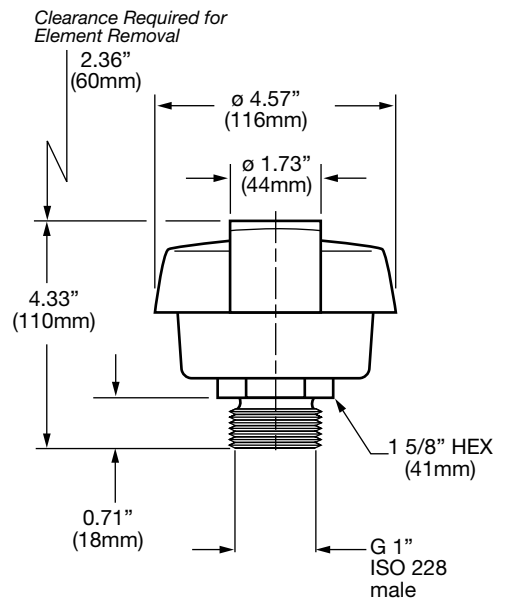
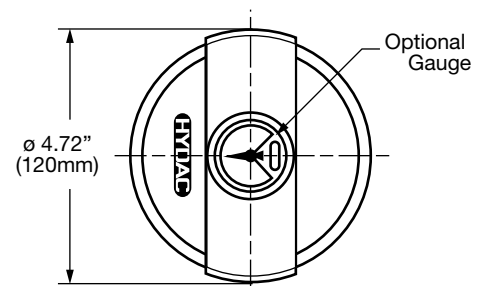
Model Code



Model Codes containing selections listed in RED italics are non-standard items – Minimum quantities will apply
Contact HYDAC for information and availability

Not all combinations are available

Dimensions



Replacement Elements



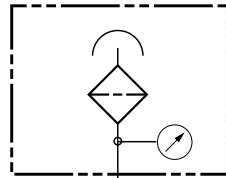
Micron	Model Code	Part No.
3	0007L003P	00310948
10	0007L010P	00310485

Dimensions are for general information only, all critical dimensions should be verified by requesting a certified print.
Dimensions are in inches/(mm) and lbs./(kg).

BF...7/72 Series Breathers with Visual Indicator



Hydraulic Symbols

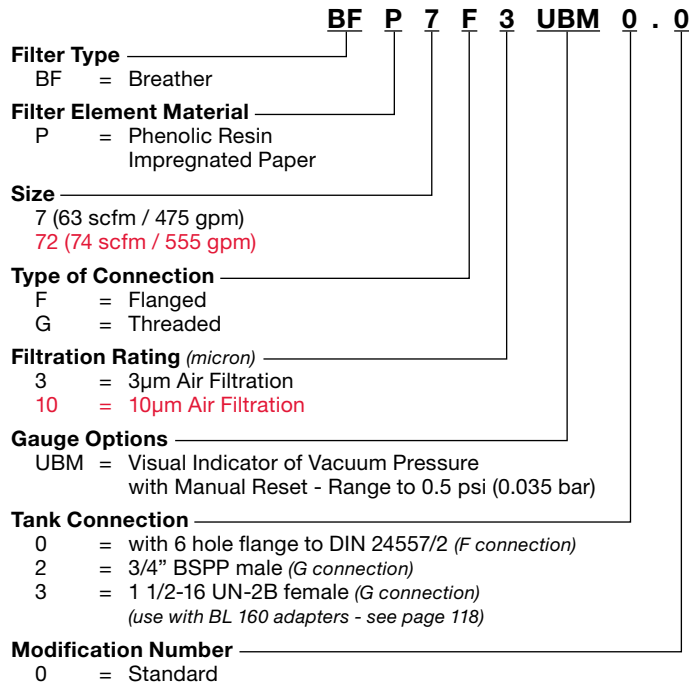


with indicator

Specifications

- Maximum flow rate - up to 74 scfm / 555 gpm at 0.04 bar
- Durable synthetic material (PA6)
- 3 or 10 micron
- Replaceable element
- Phenolic resin impregnated paper
- Threaded or flanged breather connection
- Visual indicator (*see below*)
- -22° to 212°F (-30° to 100°C)

Model Code

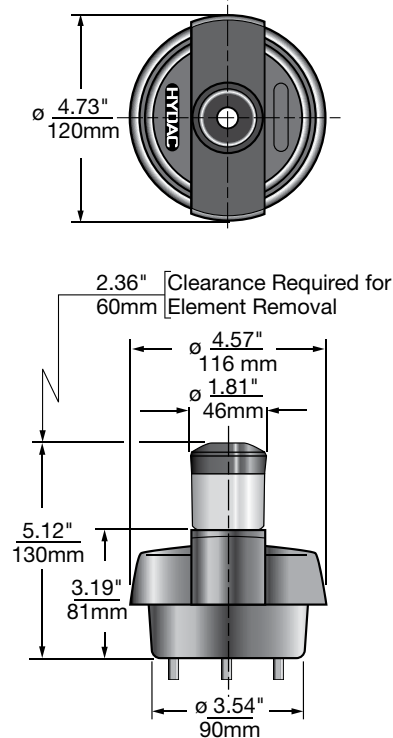


Model Codes containing selections listed in RED italics are non-standard items - Minimum quantities will apply
Contact HYDAC for information and availability

Not all combinations are available

Dimensions

BFP7F...0.0 version shown with 6 hole flange



Visual Indicator

The visual indicator shows by percentage the increase in vacuum pressure drop across the element. The percentage remains visible even when the system is turned off. When the element is changed a manual reset button must be pressed.

Model Code

VMF 0.035 UBM.X

Part Number

01279244



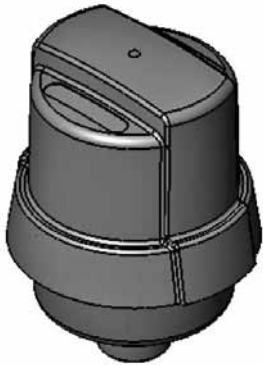
Replacement Elements



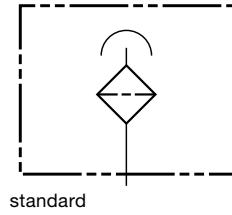
Micron	Model Code	Part No.
3	0072L003P	03269023
10	0072L010P	03190037
3	0007L003P	00310948
10	0007L010P	00310485

Dimensions are for general information only, all critical dimensions should be verified by requesting a certified print.
Dimensions are in inches/(mm) and lbs./(kg.)

BF...72 Series



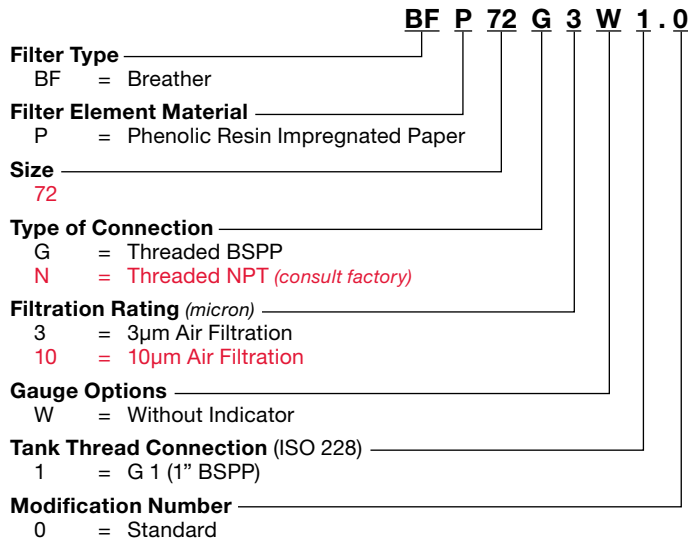
Hydraulic Symbols



Specifications

- Maximum flow rate - 74 scfm / 555 gpm at 0.04 bar
- Durable synthetic material (PA6)
- 3 or 10 micron
- Replaceable element
- Phenolic resin impregnated paper
- Removable lid to access fill port
- Threaded breather cap connection
- Differential gauge (*optional*)
- -22° to 212°F (-30° to 100°C)

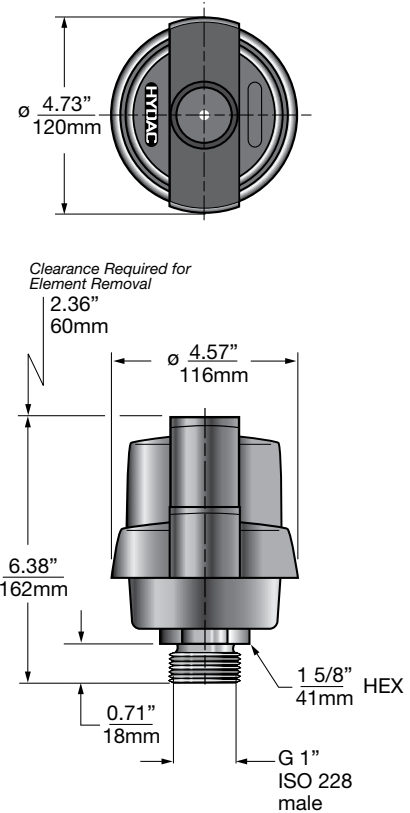
Model Code



*Model Codes containing selections listed in RED italics are non-standard items – Minimum quantities will apply
Contact HYDAC for information and availability
Not all combinations are available*

Dimensions

BFP7G...1.0 version shown



Replacement Elements



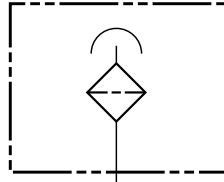
Micron	Model Code	Part No.
3	0072L003P	03269023
10	0072L010P	03190037

Dimensions are for general information only, all critical dimensions should be verified by requesting a certified print.
 Dimensions are in inches/(mm) and lbs./(kg.)

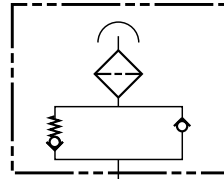
BF...5 Series



Hydraulic Symbols



standard

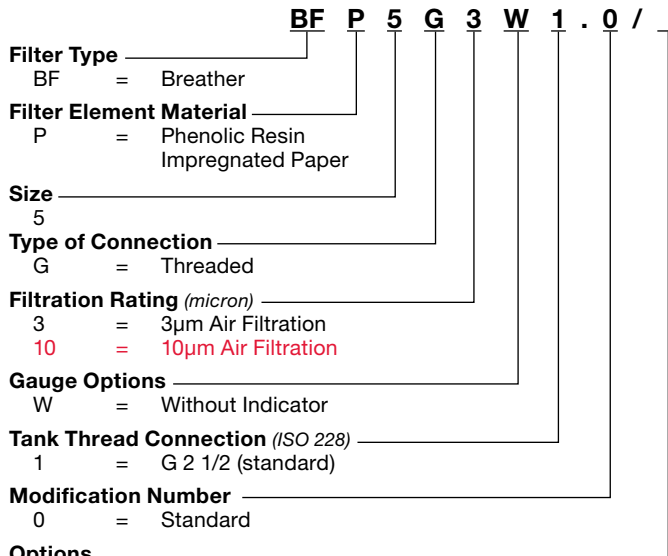


with relief valve

Specifications

- Maximum flow rate - 105 scfm / 790 gpm at 0.01 bar
- Steel housing
- 3 or 10 micron
- Replaceable element
- G2 1/2 female threaded connection
- Phenolic resin impregnated filter element

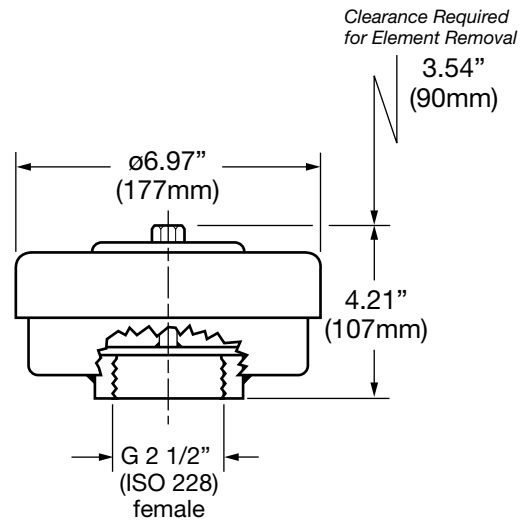
Model Code



*Model Codes containing selections listed in RED italics are non-standard items - Minimum quantities will apply
Contact HYDAC for information and availability*

Not all combinations are available

Dimensions



Replacement Elements



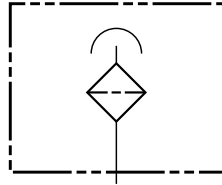
Micron	Model Code	Part No.
3	0005L003P	00309450
10	0005L010P	00306097

Dimensions are for general information only, all critical dimensions should be verified by requesting a certified print.
Dimensions are in inches/(mm) and lbs./(kg.)

BF...52 Series



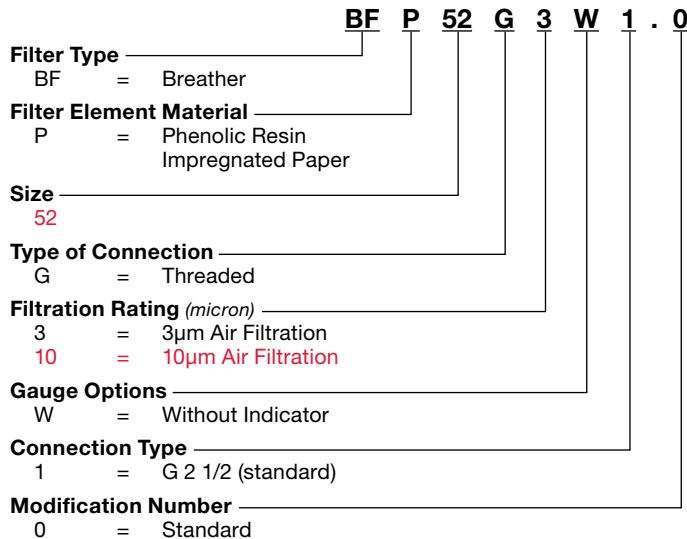
Hydraulic Symbols



Specifications

- Maximum flow rate - 176 scfm / 1320 gpm at 0.01 bar
- Steel housing
- 3 or 10 micron
- Replaceable element
(uses 2 of the standard size 5 elements)
- Phenolic resin impregnated paper
- G 2 1/2" female threaded connection

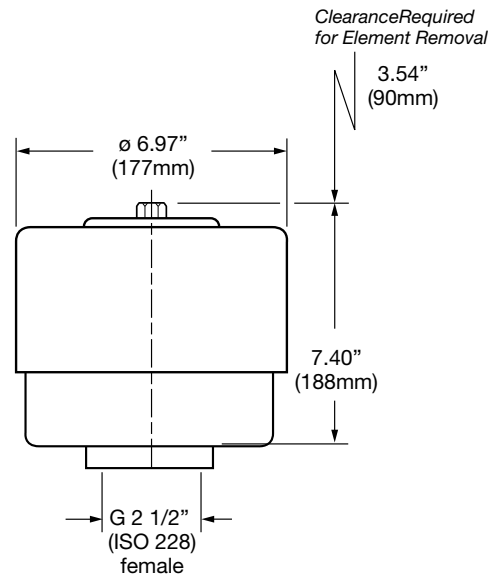
Model Code



*Model Codes containing selections listed in RED italics are non-standard items – Minimum quantities will apply
Contact HYDAC for information and availability*

Not all combinations are available

Dimensions



Replacement Elements



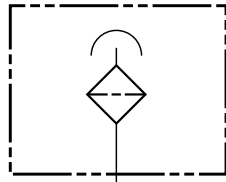
Micron	Model Code	Part No.	Qty Req.
3	0005L003P	00309450	2
10	0005L010P	00306097	2

Dimensions are for general information only, all critical dimensions should be verified by requesting a certified print.
Dimensions are in inches/(mm) and lbs./.(kg.)

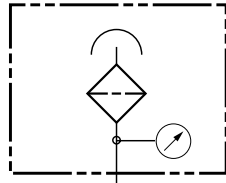
BF...8 Series



Hydraulic Symbols



standard

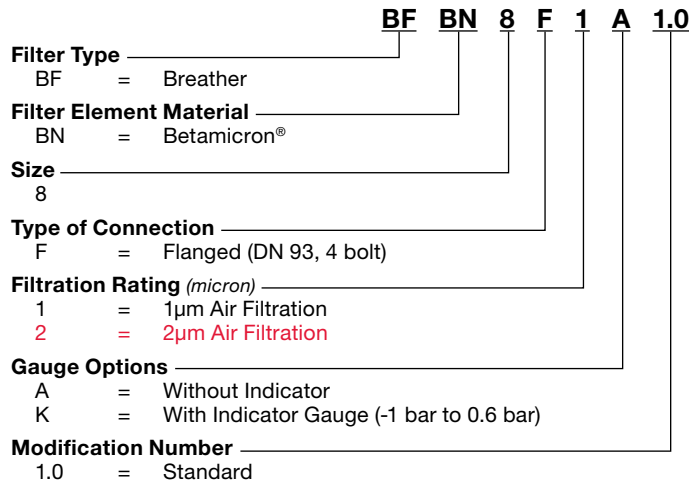


with indicator

Specifications

- Maximum flow rate - 352 scfm / 2640 gpm at 0.01 bar
- Steel housing
- 1 micron Air Filter
- Replaceable element
- 4 bolt DN 93 flange

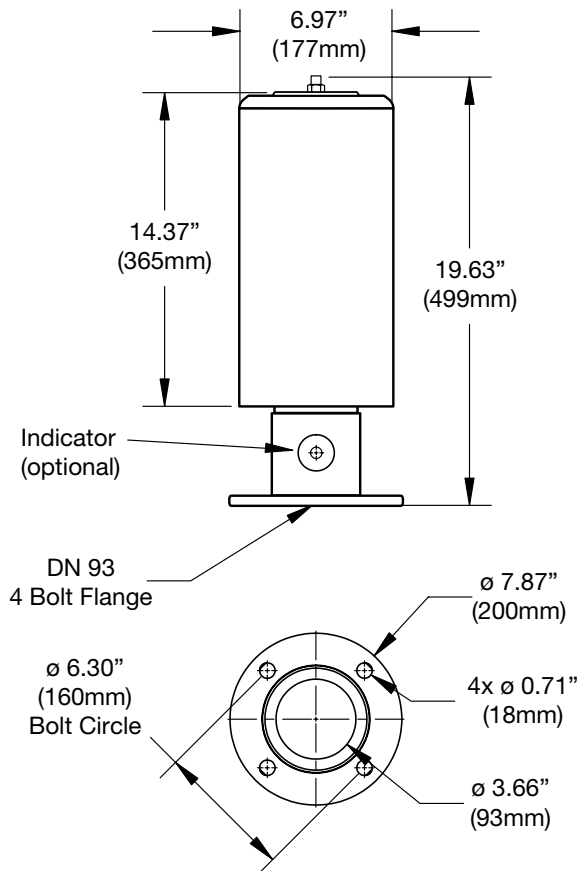
Model Code



*Model Codes containing selections listed in RED italics are non-standard items – Minimum quantities will apply
Contact HYDAC for information and availability*

Not all combinations are available

Dimensions



Replacement Elements



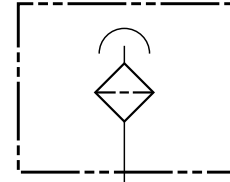
Micron	Model Code	Part No.
1	0008L001BN4	01266598
2	0008L002BN4	01265021

Dimensions are for general information only, all critical dimensions should be verified by requesting a certified print.
Dimensions are in inches/(mm) and lbs./(kg.)

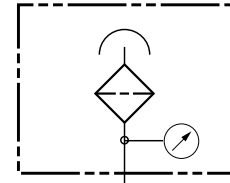
BF...9 Series Breathers with Oil Mist Trap



Hydraulic Symbols



standard



with indicator

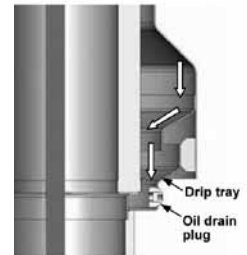
Specifications

- Maximum flow rate - 528 scfm / 3960 gpm at 0.01 bar
- Aluminum housing
- Replaceable element
- 2 µm Air Filter
- 8 bolt DN 125 flange

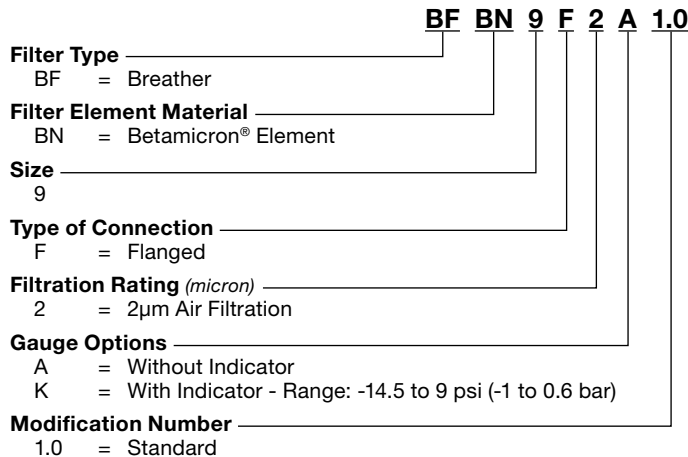
Oil Mist Trap

The oil mist in the filter is collected in a "drip tray" and is returned safely to the tank, or it can be drained via an oil drain plug.

No oil runs down onto the top of the tank.



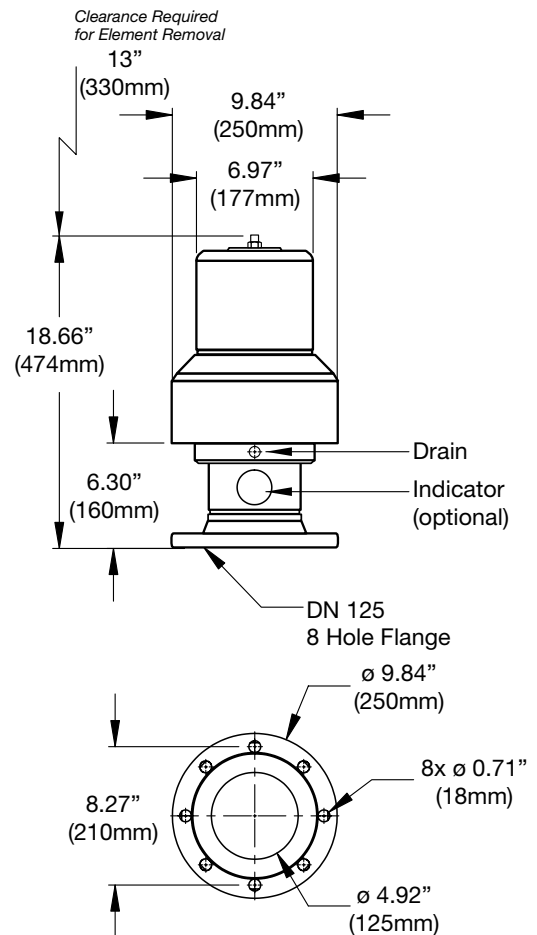
Model Code



*Model Codes containing selections listed in RED italics are non-standard items – Minimum quantities will apply
Contact HYDAC for information and availability*

Not all combinations are available

Dimensions



Replacement Elements



Micron	Model Code	Part No.
2	0009L002BN	01287471

Dimensions are for general information only, all critical dimensions should be verified by requesting a certified print.
Dimensions are in inches/(mm) and lbs./(kg.)