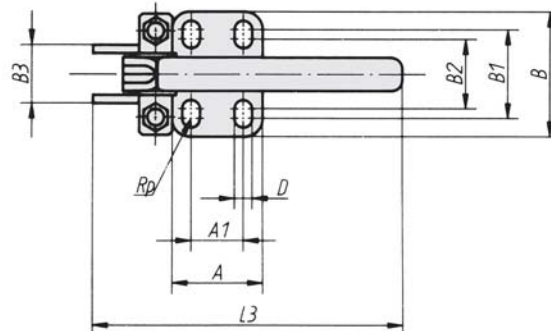
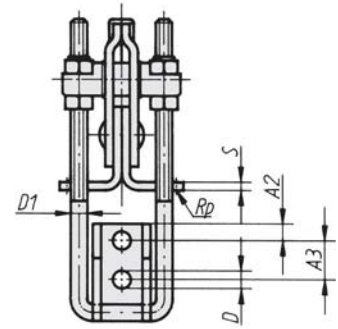
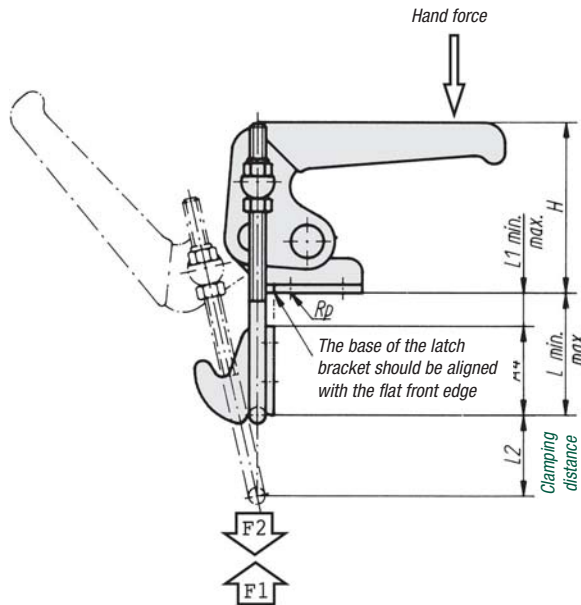


Clamp Vertical Latch



Clamp in zinc plated and passivated steel.

This clamp is also available in stainless steel AISI 304.



Technical data for your guidance

Reference	Pulling force F1(N)	Holding force F2(N)	Hand force N	Handle opens through
5830-0140	1800	2000	100	145°
5830-0250	2700	4000	150	145°
5830-0450	4500	7000	200	145°

Dimensions of the clamp

A	A1	A2	A3	A4	B	B1	B2	B3	D	D1	H	Setting distance L		Clamping distance		L3	S	Reference	kg	
												min	max	min	max					
26	13	4,5	11	23	36	24	19	16	5,2	4	42	24	48	1	25	22	76	2,5	5830-0140*	0,05
35	19	6	14	32	47	32	25	21	6,5	6	63	33	60	1	28	34	115	3	5830-0250*	0,25
51	32	8	19	40	64	45	36	28	8,5	8	84	41	80	1	40	45	152	4	5830-0450*	0,70