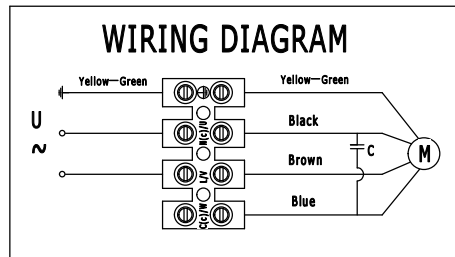


DRAWING NO

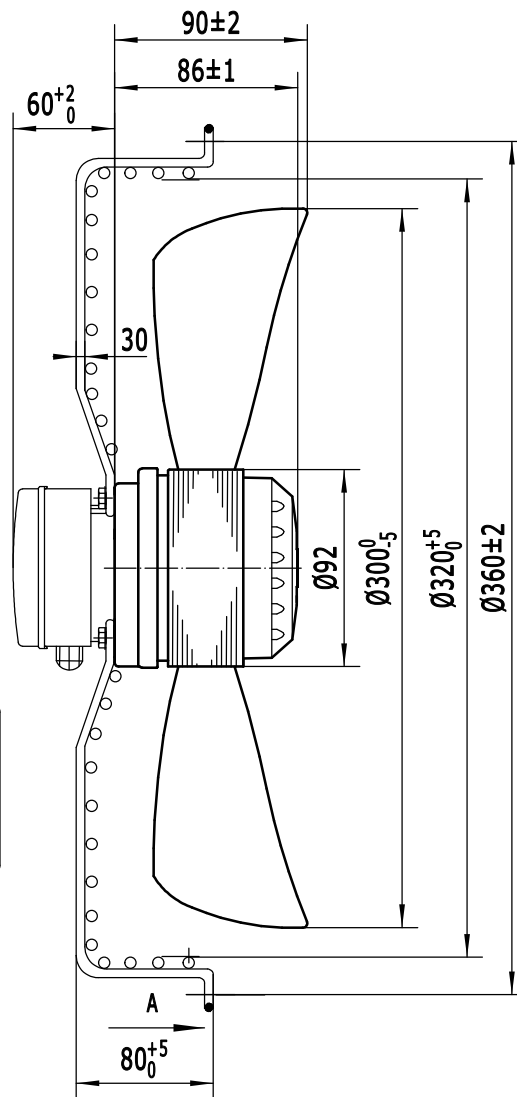
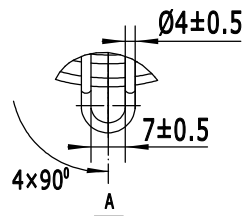
Wiring diagrams:



sucking
Direction of airflow "S"

LABEL:

WEIGUANG® Axial Fan Motor
YWF4E-300S-92/35-G
220V 50Hz 0.42A 39/85W
1380r/min 3 μF/450V CL.B XX/XX

**WEIGUANG**®**Axial fan motor**

HANGZHOU WEIGUANG ELECTRONIC CO.,LTD.

Unit: axial fan motor

Type:

Motor: single phase motor with capacitor

Customer:

Motor type: YWF4E-300S-92/35-G

Customer-type:

TYPE	Voltage v	Frequency Hz	Input power W	Current A	Speed r/min +/-5%	Air volume m ³ /h	noise level dBA	capacitor μF/ VDB
YWF4E-300S-92/35-G	220	50	85	0.42	1380	1690(20Pa)	60	3 μF/450V

Insulation class : B

Operating type: S₁

Permissible ambient temperature : -30~60℃

Temperature increase: ΔT≤75k

Motor protection:thermocontact 135±5℃

Bearings: ball bearings

License: CE CCC

Model meanings:

YWF 4E-300 S-P92/35-G

Asynchronism axial fan motor

Motor pole

single Phases

Fans diameter

Grid

The thickness of laminated core

The diameter of the rotor

ErP2015

Direction of airflow

Electrical connection:lead wire Silikon 4G 0.50mm² , Length 100mm in terminal box connected

Direction of rotation: clockwise(sucking), Airflow direction:"S" looking at rotor side

APPROX. WEIGHT

MEANS

REV.	DESCRIPTION	APPROVED	DATE	DECIMAL	TOLERANCE	SIGN	DATE	TITLE
				X	±0.5	DRN. BY		YWF4E-300S-P92/35-G
				X.X	±0.25	CHD. BY		
				X.XX	±0.15	ENG. BY		
				ANGLE	±3°	APP. BY		PROJECTION
								A4 SCALE SHEET: of