

TAG NO.	ID.	DEVICE	Q. TY	RATING	MANUFACTURER
01	B1	LIGHTING FIXTURE EVAC 501 20 X P4 BULB ARRAY	1	II 2G Ex d IIC T4 Gb	FEAM
02	B1	AC/DC CONVERTER 230V/48Vdc	1	2000 cd	CLAMPOCO SISTEMI
03	CI	FLASHING CURRENT REGULATOR EED000330000	1	50V	TDK-LAMBDA
04	SP1	AMPEROMETRIC RELAY SEMOL36	1	700mA	CLAMPOCO SISTEMI
05	RM1	REFLECTOR LS00003LSB0	1	0.15 + 1.5A	CLAMPOCO SISTEMI
06	S0	EMMETALIC THERMOSTATIC SWITCH 5x20mm FUSE	1	T <sub>ON</sub> = 75°C	CLAMPOCO SISTEMI
07	F1	3/4" NPT (male) / M20 (female) ADAPTER EARTH TERMINAL	1	3.15A	ITALWEBBER
08	F1	M20 BARRIER CABLE GLAND SERIES P4PR	1	II 2G Ex d IIC IP66	FENEX
09	F1	2 LEVEL ELECTRIC TERMINAL	1	II 2G Ex d IIC IP66	FENEX
10	F1		2	5.6 mm <sup>2</sup>	FENEX
11	F1		7	5.4 mm <sup>2</sup>	CABUR
12	F1		4	5.2.5 mm <sup>2</sup>	CABUR
13	F1				CABUR

ARMATURA LUMINOSA Type EVAC 501  
Lighting fixture  
Il 2G Ex d IIC T4 Gb  
Il 20 Ex d IIC T4 Gb  
IECEX INE 13.0075X  
Spec

ATTENZIONE: NON APRIRE SOTTO TENSIONE / WARNING: DO NOT OPEN WHILE ENERGIZED

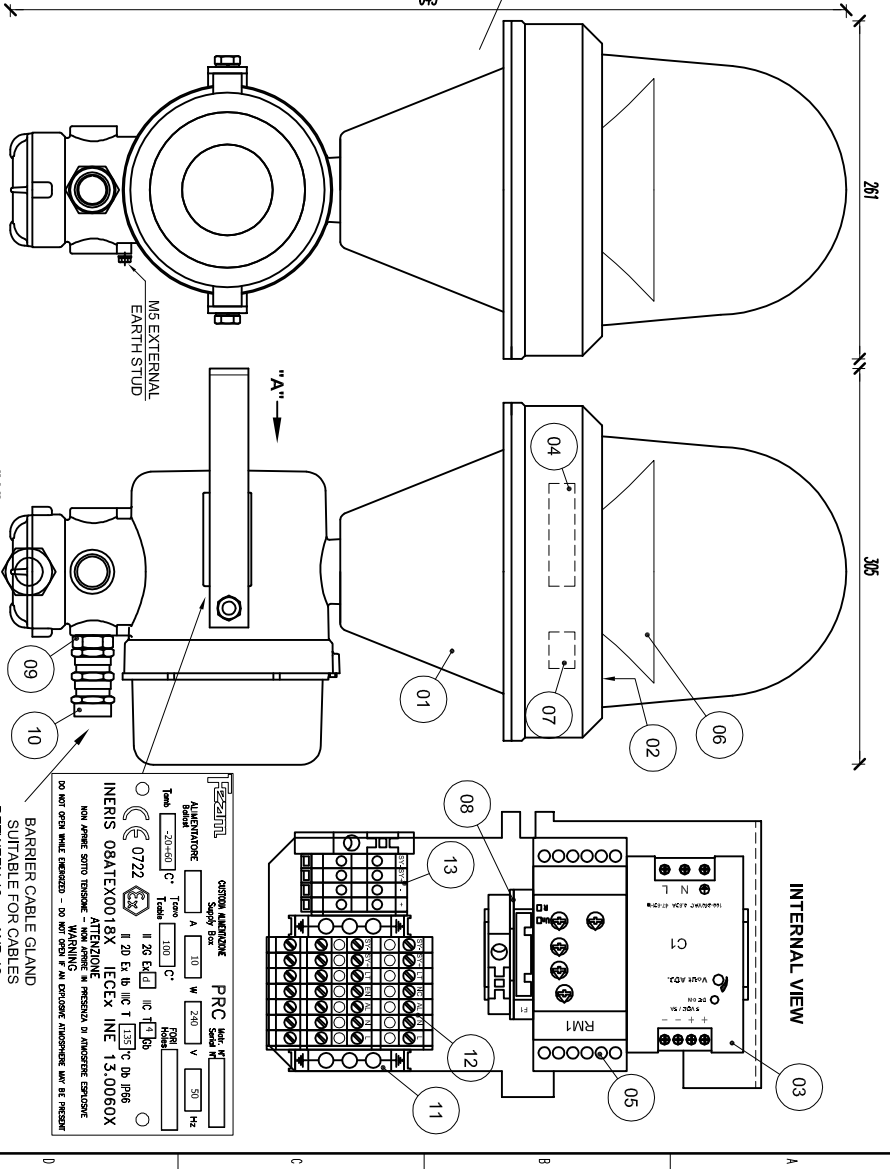
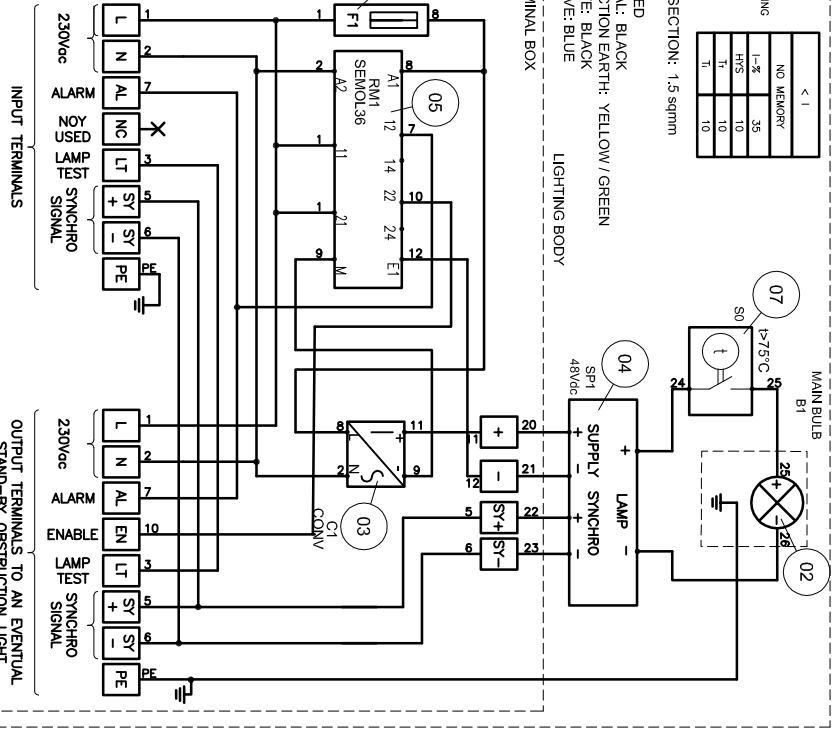
MADE OF STAINLESS STEEL

RM1 SETTING

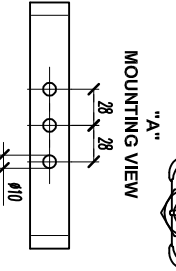
NO MEMORY	< 1
I-2%	35
H/S	10
T	10
T	10

WIRES SECTION: 1.5 sqmm

LINE: RED  
NEUTRAL: BLACK  
PROTECTION EARTH: YELLOW/GREEN  
POSITIVE: BLACK  
NEGATIVE: BLUE



ITEM	SEGS23P2K_EX3
Voltage	230 Vac ± 10%
Peak Power consumption	40 W
Average Power consumption	15 W
Light intensity	2000 cd
Flashing rate	25 FPM (flash per minute)
Protection grade	IP 66
Weight	15 Kg



ITEM	SEGS23P2K_EX3
Explosion proof type:	Ex d
Degree of protection:	IIC T4 IP66
ATEX Certificate:	INERIS 01 ATEX 0054X INERIS 08 ATEX 0018X
IECEX Certificate:	INE 13.0075X INE 13.0060X
Material:	ALUMINIUM ALLOY
Temp:	-20°C +80°C
Painting:	EPOXY COATING
Colour:	RAL 9006

NOTES:  
MOUNTING HARDWARE:  
(3x) Stainless steel Hexagon head screws  
M10x50 + nuts + washers

**Clampo Sistemi**  
where solutions, reliability and business meet

Calzavara S.p.A. Via Coreclan, 60 - 33031 Belluno (Italy) Ph. +39 0432 84381 www.clampo-sistemi.com Fax. +39 0432 84899 clampo@clampo.it	PROGETTO - PROJECT: SEGS23P2K_EX3 SINGOLA FLASHING OBSTRUCTION LIGHT MEDIUM INTENSITY ICAO TYPE "B" 2000cd
---	--

data - date	descrizione - description	PRG	LP	LP
15/04/15				
Localita' - Site:		scale - scale	comm-proposed titl	
Progetto - Project:		scale - scale	comm-proposed titl	
Committente - customer		scale - scale	comm-proposed titl	
disegno (tr. - drawing) NO.		scale - scale	comm-proposed titl	

DIMENSIONS ARE IN MILLIMETERS