

EE451

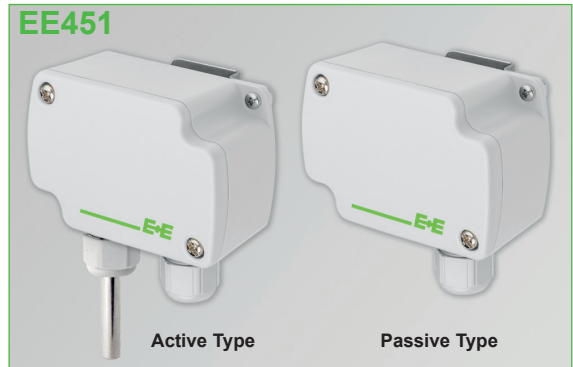
Wall Mounted Temperature Sensor for Indoor and Outdoor

E+E sensors EE451 are used for temperature measurement in heating, ventilation and air conditioning systems enabling weather-dependent temperature regulation.

In addition to active outputs 0-10 V or 4-20 mA various types of sensing elements such as Pt1000, NTC10k or Ni1000 are available for passive temperature measurement.

The innovative enclosure concept (IP65) with a mounting bracket allows for easy installation and unbiased detection of ambient temperature.

The optional adapter EE-PCA and the free configuration software EE-PCS facilitate the adjustment and setup of the active temperature sensors.



Features

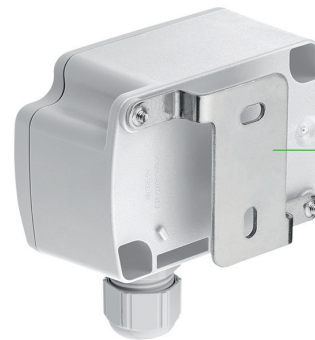


External mounting holes

- » Mounting with closed cover
- » Protection against construction site pollution

Bayonet screws

- » Open/closed with a ¼ rotation



Mounting bracket

- » Distance to wall for correct measurement of ambient temperature



Technical Data

Active Output

Sensing element	Pt1000 (class A, DIN EN60751)	
Output	0-10 V	-1 mA < I _L < 1 mA
	4-20 mA (two-wire)	R _L < 500 Ω
Accuracy	±0.3 °C (±0.54 °F) at 20 °C (68 °F)	
Supply voltage (Class III)	15-35 V DC or 24 V AC ±20%	
for 0-10 V	10 V DC + R _L x 20 mA < V+ < 35 V DC	
for 4-20 mA		
Current demand	DC: typ. 5 mA	AC: typ. 12 mA _{eff}
Electromagnetic compatibility	EN61326-1, EN61326-2-3 industrial environment	

Passive Output

Types of T-Sensors	Sensor Type	Nominal Resistance	Sensitivity	Standard
	Pt100 DIN B	R ₀ : 100 Ω	TC: 3.850 x 10 ⁻³ /°C	DIN EN 60751
	Pt1000 DIN B	R ₀ : 1000 Ω	TC: 3.850 x 10 ⁻³ /°C	DIN EN 60751
	NTC1.8k	R ₂₅ : 1.8 kΩ ± 0.2 K	B _{25/85} : 3500 K ± 1.0 %	-
	NTC2.2k	R ₂₅ : 2.252 kΩ ± 0.2 K	B _{25/85} : 3977 K ± 0.3 %	-
	NTC10k B3950	R ₂₅ : 10 kΩ ± 0.5 %	B _{25/85} : 3989 K (B _{25/50} : 3950 K ± 1.0 %)	-
	NTC10k B3435	R ₂₅ : 10 kΩ ± 1 %	B _{25/85} : 3435 K	-
	KTY81-210	R ₂₅ : 1980-2020 Ω	-	-
	Ni1000 TK6180 DIN B	R ₀ : 1000 Ω	TC: 6180 ppm/K	DIN 43760
	Ni1000 TK5000 DIN B	R ₀ : 1000 Ω	TC: 5000 ppm/K	DIN 43760
Measurement current	typ. < 1 mA ¹⁾			
T-Sensor connection	two-wire			
Electrical connection	screw terminal, 2x max. 2.5 mm ² (0.004 in ²)			

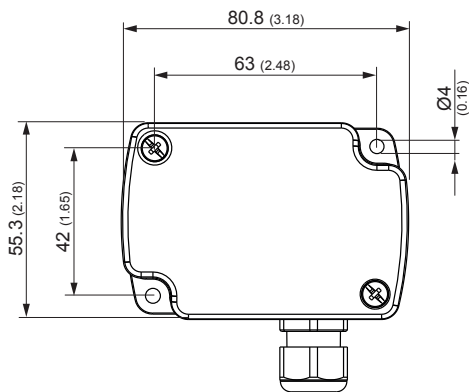
1) according technical data of the specific T-sensors

General

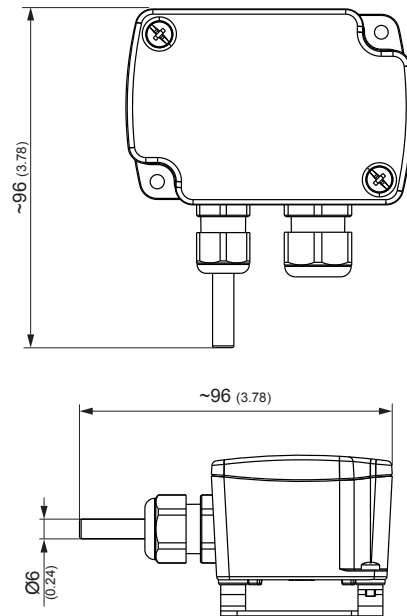
Operating temperature	-40 °C...+70 °C (-40 °F...+158 °F)
Enclosure material	polycarbonate, UL94-V0 approved
Protection class	IP65 / NEMA 4
Cable gland	M16x1.5, UL94-V2
Mounting bracket material	stainless steel (corr. 1.4301 / 304)
Storage temperature	-30 °C...+70 °C (-22 °F...+158 °F)
Storage humidity range	5 % rh...95 % rh, no condensation

Dimensions in mm (inch)

Housing passive type

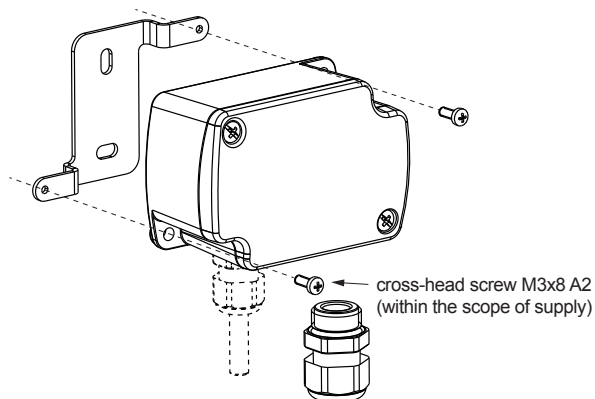


Housing active type

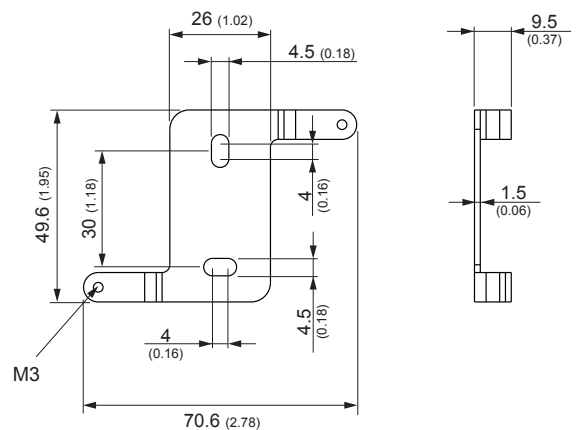


mounting bracket (included in the scope of supply)

Mounting



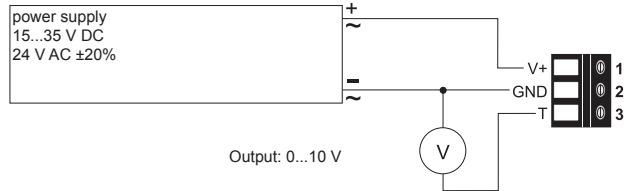
Mounting Bracket



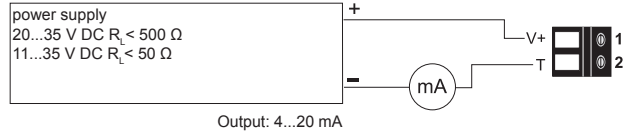
Connection Diagram

Active Output

EE451-T3xx



EE451-T6xx



Passive Output

EE451-Txx



Scope of Supply

- EE451 Temperature sensor according to ordering guide
- Cable gland
- Mounting bracket
- Two self-adhesive labels for configuration changes (see user guide at www.epluse.com/relabeling)
- Test report according to DIN EN10204 - 2.2 (for active output only)

Ordering Guide

MODEL	OUTPUT	DESIGN	SCALING ²⁾ (analogue output only)	UNIT (analogue output only)
Temperature (T)	Analogue	Standard (PO)	-40...60	°C (M)
	0-10 V (3xx)		-30...70	°F (N)
	4-20 mA (6xx)		0...50	
	T-Sensor passive¹⁾		0...100	
	Pt100 DIN B (xxB)		32...212	
	Pt1000 DIN B (xxD)		-40...140	
	NTC1.8k (xxG)			
	NTC2.2k (xxV)			
	NTC10k B3950 (xxL)			
	NTC10k B3435 (xxO)			
	KTY81-210 (xxN)			
	Ni1000 TK6180 DIN B (xxJ)			
	Ni1000 TK5000 DIN B (xxT)			
EE451-				

1) T-Sensor details see www.epluse.com/R-T_Characteristics
 2) other scaling upon request

Order Example

Passive Output

EE451-TxxLPO

Model: Temperature
 Output: NTC10k B3950
 Design: Standard

Active Output

EE451-T3xxPO/008M

Model: Temperature
 Output: 0-10 V
 Design: Standard
 Scaling: -30...70
 Unit: °C

Accessories

Product configuration adapter see data sheet EE-PCA
 Product configuration software EE-PCS (free download: www.epluse.com/configurator)
 Power supply adapter V03 (see data sheet Accessories)
 Conduit adapter, M16x1.5 to 1/2" HA011110