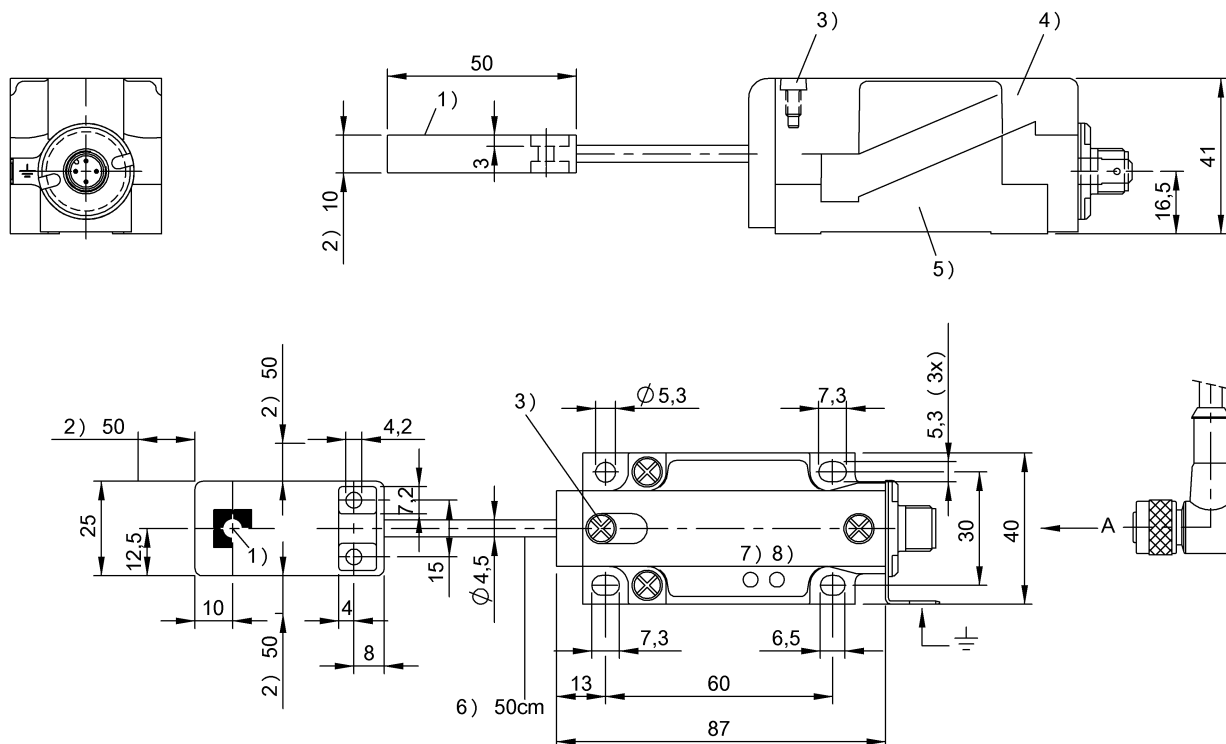


Processor
 BIS L



1) Active surface, 2) Clear zone, 3) locking screw, 4) Module unit, 5) Mountingsocket, 6) Cable length, 7) Power, 8) Tag present

Characteristic data

Degree of protection as per IEC 60529 IP67

Electrical data

Operating voltage 18...30 VDC
 Ripple ≤ 1.3 Vpp
 Current consumption (at 24 V DC) ≤ 150 mA
 Device interface IO-Link

Mechanical data

Connection Vs 24V DC, IO Link: Panel connector 4 pole
 Cable length 0,5 m
 Ambient temperature 0...+70 °C
 Storage temperature -20 °C ... +85 °C

Housing material	ABS
Antenna type	Round
Free fall	EN 60068 Part 2-32
Shock rating	EN 60068 Part 2-27
Continuous shock load	EN 60068 Part 2-29
Vibration rating	EN 60068 Part 2-6
Application weight	200 g

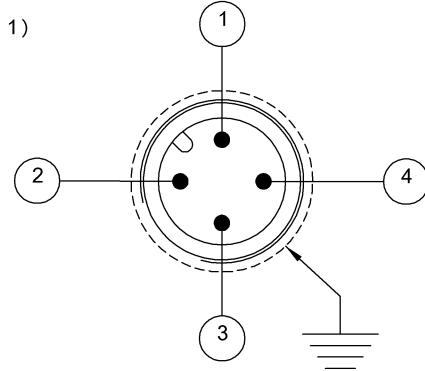
Remarks

For installation in metal: Observe clear zone.
 With basic equipment see IO-Link catalogue.
 Order accessories separately.
 Values are under rated conditions unless otherwise specified.
 When installing, the technical standards and regulations of the corresponding countries must be observed.

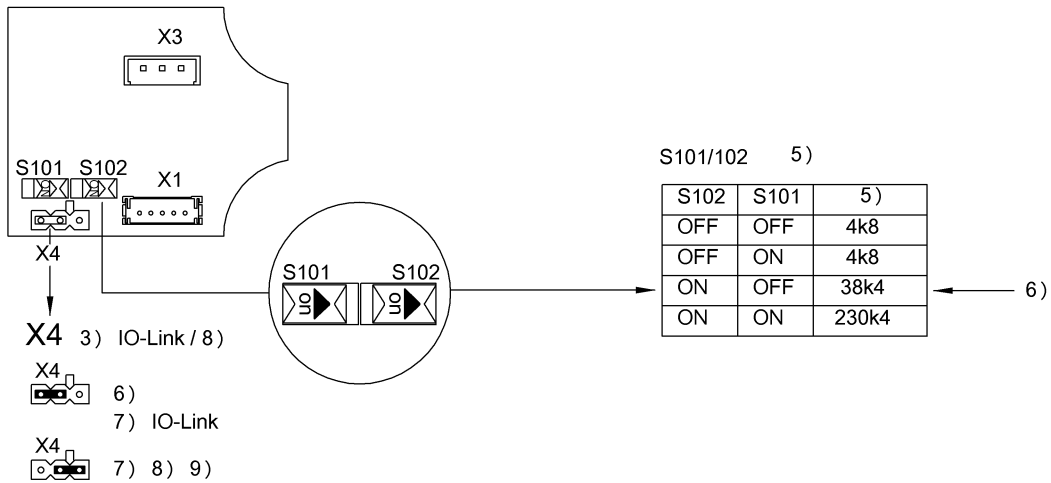


Definitions see main catalog

subject to change



- X1
 2)
 1 ————— L+
 2 ————— RxD 8)
 3 ————— L-
 4 ————— C/Q / TxD 8)
 ————— 4)



- 1) View towards connector
 2) Male 4 pol./function
 3) Operating mode
 4) Shield
 5) Baud rate
 6) Factory default setting
 7) JP Operating mode
 8) Service
 9) (Only for Balluff Service)

Processor
 BIS L

BIS L-40x-xxx-004-__

Read Only		BIS L-200-03/L BIS L-100-05L-RO	BIS L-201-03/L BIS L-101-05L-RO	BIS L-203-03/L BIS L-103-05L-RO			
passende Datenträger Appropriate data carriers		metallfrei non metal	metallfrei non metal	metallfrei non metal			
Schreibabstand in mm Write distance in mm							
Leseabstand in mm Read distance in mm		0-23	0-27	0-16			
Versatz in mm bei Abstand von	0	±12	±15	±8			
	3	±12	±15	±8			
	7	±12	±15	±8			
	8	±12	±15	±8			
Offset in mm at distance	10	±12	±15	±8			
	12	±12	±15	±4			
	15	±12	±15	±4			
	18	±8	±15				
	20	±8	±15				
	25		±6				
	30						
	35						
	40						
	45						
	50						
	55						
	60						
	70						