

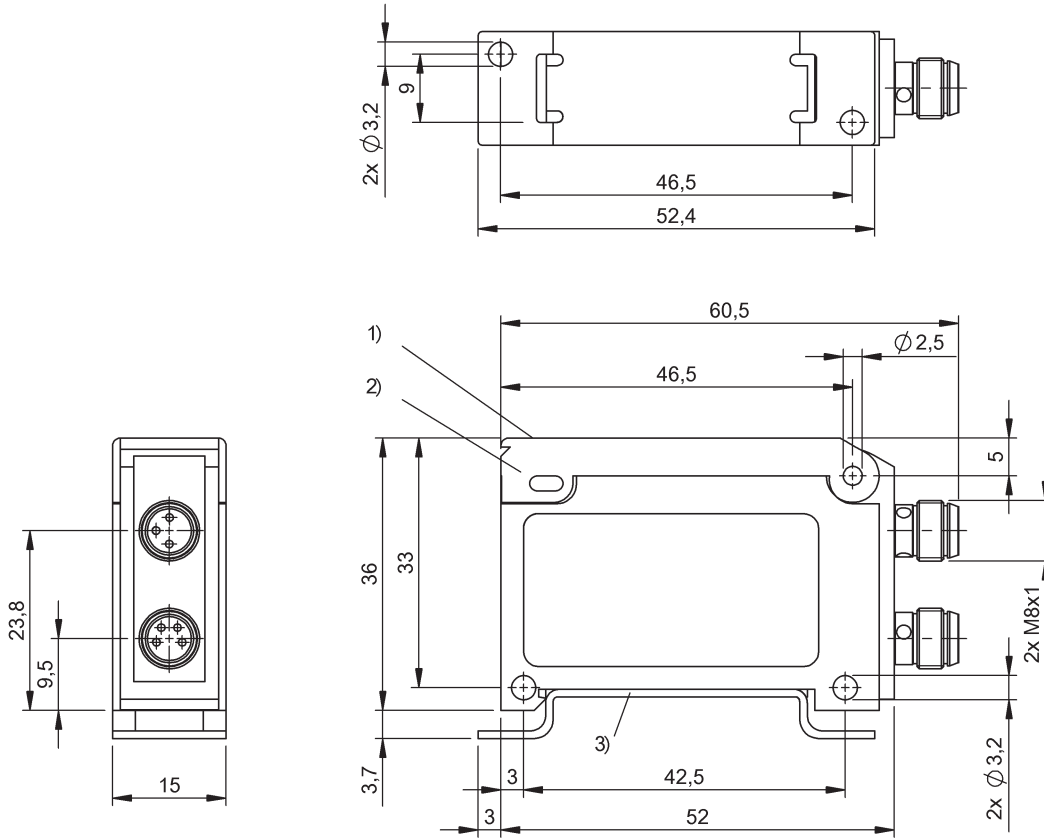
Signal amplifier

BAE SA-OH-035-PP-S75G

Order code: **BAE00NF**

BALLUFF

sensors worldwide



1) Display and control panel 2) Top cover 3) Mounting rail

- Signal amplifier
- for optical sensor head BOH
- Series SA-OH
- ABS, PC



General attributes

Adjuster
 Application
 Approvals / Conformity
 Basic standard
 Duration of time function
 Enclosure Type per IEC 60529
 Indicator

Input function
 Polarity reversal protected
 Series

Slide switch 4 pos. (1x)
 for optical sensor head BOH
 CE
 IEC 60947-5-2
 T = 0..250 ms
 IP65
 Signal strength-digit. display
 Error - LED GN flashing
 Output function - LED YE
 Power - LED GN
 Teach-in Sn
 Yes
 Series SA-OH

Setting

Short circuit protected
 Time function

Sensitivity (Sn)
 Light-on/dark-on
 Teach-in Sn
 Read direction digital display
 Digital display on/off
 Key disable on/off
 Factory setting (reset)
 Alert threshold
 Teach-in Aut/Fine/1-Pt/2-Pt
 Hysteresis (4 steps)
 Integration time 4...128 ms
 Upper+ lower switch. threshold
 Delay time
 Yes
 Turn-on delay
 Turn-off delay

Electrical attributes

Auxiliary output
 Connection of sensor
 Connection type
 Eff. operating current Ie
 Eff. operating voltage Ue DC
 Electrical version
 Operating voltage UB max. DC [V]
 Operating voltage UB min. DC [V]

Error output PNP
 M8x1-S49
 Connector
 200 mA
 24,0 V
 DC, direct current
 30,0 V
 10,0 V

Internet
 Balluff Germany
 Balluff USA
 Balluff China

www.balluff.com
 +49 (0) 7158 173-0, 173-370
 1-800-543-8390
 +86 (0) 21-50 644131

For definitions of terms, see main catalog
 Subject to change

BAE00NF_237448_13/02/16

Signal amplifier

BAE SA-OH-035-PP-S75G
Order code: BAE00NF

Switch func. auxiliary output
Switching freq. f max. (at U_e)
Switching function
Switching output
Turn on time t_{on} max.
Voltage drop U_d max. (at I_e)

NO
500 Hz
NO/NC
PNP (1x)
1.00 ms
2.0 V

Length 1
Length 2
Length 3
Mounting type
Range S_n
Style

15.0 mm
58.0 mm
36.0 mm
DIN rail 35 mm
Screw M3
S_n depends on sensor head
Block, straight connection

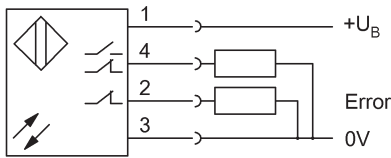
Mechanical attributes

Ambient temperature T_a max.
Ambient temperature T_a min.
Connector type
Eff. operating distance S_r
Housing material

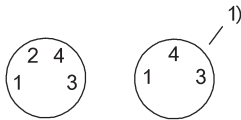
55 °C
-10 °C
M8x1-S75
dependent on sensor head
ABS, PC

Remarks

Cap rail included, order other accessories separately.
For additional information, refer to user's guide.
The sensor is functional again after the overload has been eliminated.



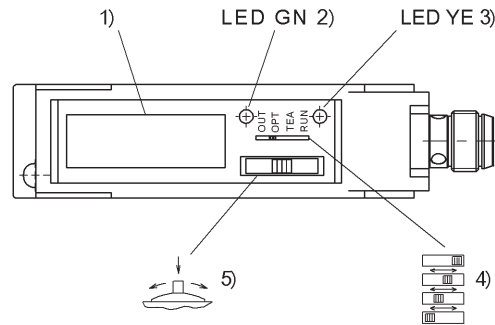
802994



1) Sensor connection

Signal amplifier

BAE SA-OH-035-PP-S75G
Order code: **BAE00NF**



1) Display 2) Stability 3) Output function 4) Slide switch operating mode 5) Jog-Switch