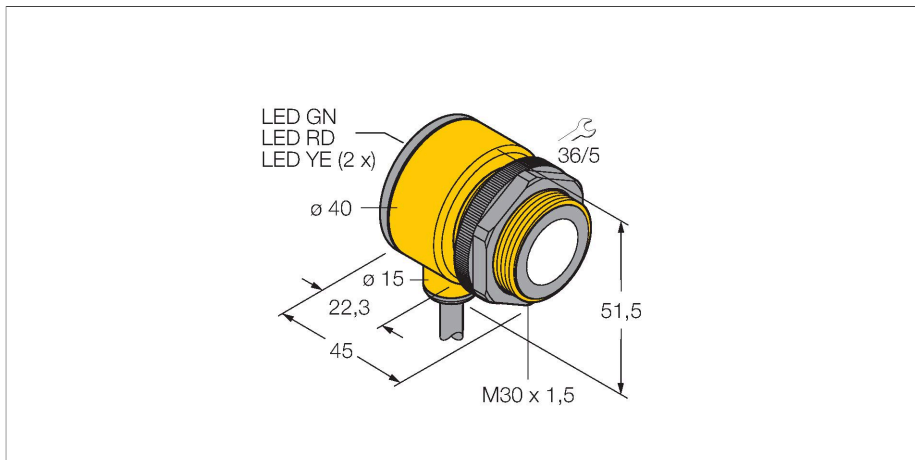


# T30UDPA

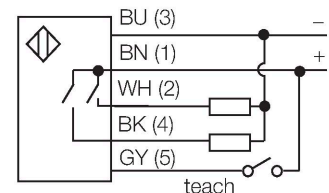
## Ultrasonic sensor – diffuse mode sensor



### Features

- Compact design
- Cable, 2 m
- Operating voltage 12...24 VDC
- Two PNP transistor outputs
- Two independent switching ranges adjustable via button or control line
- Blind zone: 15 cm
- Range: 100 cm

### Wiring diagram



### Functional principle

Ultrasonic sensors detect a multitude of objects contactless and wear-free with ultrasonic waves. Regardless of whether the object is transparent or opaque, metallic or non-metallic, liquid, solid or powdery. Even environmental conditions such as spray, dust or rain hardly affect their function.

### Technical data

Type	T30UDPA
ID	3055544
<b>Ultrasonic data</b>	
Function	Proximity switch
Range	150...1000 mm
Ultrasound frequency	228 kHz
Repeatability	$\leq \pm 0.375$ mm
Temperature drift	$\leq 0.17$ % of full scale/K
<b>Electrical data</b>	
Operating voltage	12...24 VDC
DC rated operational current	$\leq 100$ mA
No-load current	$\leq 50$ mA
Response time typical	$< 48$ ms
Output function	2 normally open contact, PNP
Switching frequency	$\leq 20$ Hz
Hysteresis	$\leq 2.5$ mm
Voltage drop at $I_o$	$\leq 1.5$ V
Short-circuit protection	yes / Cyclic
Reverse polarity protection	Complete
Wire breakage protection	yes
<b>Mechanical data</b>	
Design	Tube, T30U
Radiation direction	straight
Dimensions	$\varnothing 40 \times 45$ mm
Housing material	Plastic, PBT
Transducer material	Plastic, Epoxyd resin and PU foam

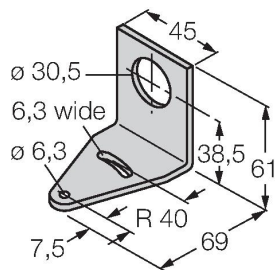
## Technical data

Electrical connection	Cable, 2 m, PVC
Ambient temperature	-20...+70 °C
Relative humidity	100 %
Protection class	IP67
Power-on indication	LED
Switching state	LED, Yellow
Object detected	LED
<b>Tests/approvals</b>	
MTTF	246 years acc. to SN 29500 (Ed. 99) 40 °C
Approvals	CE

## Accessories

SMB30A

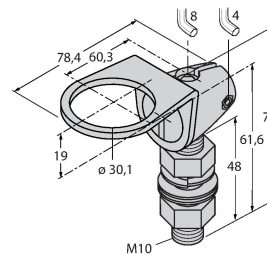
3032723



Mounting bracket, rectangular, stainless steel, for sensors with 30mm thread

SMB30FAM10

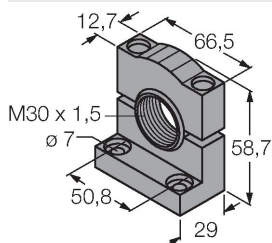
3011185



Mounting bracket, stainless steel, for M10 x 1.5 thread, thread length 30 mm

SMB30SC

3052521



Mounting bracket, PBT black, for sensors with 30 mm thread, rotatable