

- Size DN 15-50
- Kvs value 0.63...40
- No leakage in closed position
- Pressure balanced (smaller actuators can be used)

The VFD2 valve is intended for hot and cold water, glycol-mixed water, steam, and district heating systems within the temperature range  $-5^{\circ}\text{C} \dots +150^{\circ}\text{C}$ . Connections are made of galvanized cast iron and pipe fittings of dezincification resistant brass.

#### Function

The valve is closed when the stem is in its lowest position.

#### Actuators

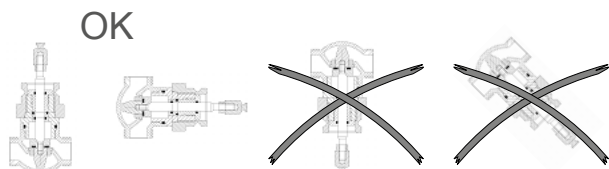
The valve is pressure balanced and can therefore handle high differential pressure with low force. This means that an actuator with low force can be used.

VFD2 is designed to be used together with AB Industrietechnik's SE5... line of actuators. We also offer adapters for actuators of other brands.

#### Installation

The valves should be mounted according to the flow direction arrows on the valve.

It is to be installed with the spindle upwards or at an angle of max.  $90^{\circ}$  to the vertical. See below.



# VFD2

## Male threaded 2-way valve

VFD2 is a pressure balanced (from DN20-50, not DN15) 2-way valve intended for control of cold and hot water, glycol-mixed water, steam and district heating.

- Media temperature  $-5 \dots +150^{\circ}\text{C}$
- Pressure class PN16
- Body in gunmetal
- Supplied complete with pipe fittings

#### Material

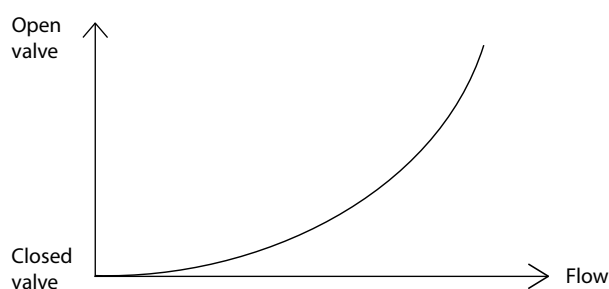
VFD2 has a body and top made of gunmetal. The seat, stem and plug is in stainless steel.

The valve has a soft seating made out of carbon-filled teflon between plug and seat, which makes it completely tight. The packing box has O-rings made of Viton and self-adjusting teflon seals.

The enclosed pipe fittings nut and the nipple are made of galvanized cast iron.

#### Flow characteristics

The flow type is equal percentage according to the figure below.



## Models

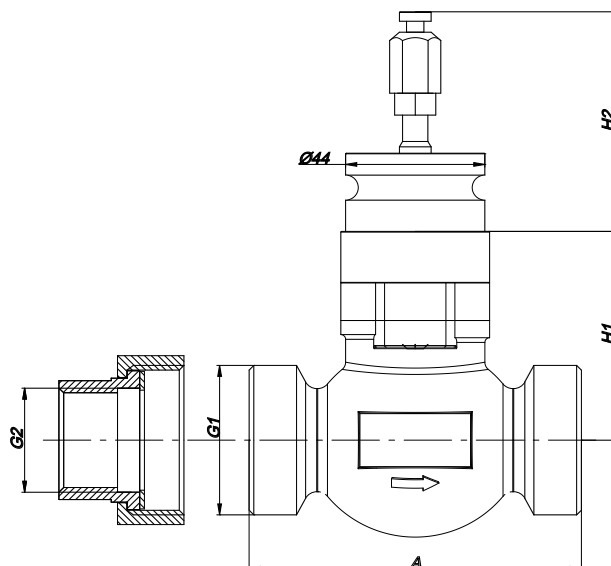
Valves	Connection	Kvs	Max. diff. pressure
VFD215-0,63	DN15	0.63	1.6 MPa
VFD215-1,25	DN15	1.25	1.6 MPa
VFD215-1,6	DN15	1.6	1.6 MPa
VFD215-2,5	DN15	2.5	1.6 MPa
VFD215-4,0	DN15	4	1.6 MPa
VFD220-5,0	DN20	5	1.6 MPa
VFD220-6,3	DN20	6.3	1.6 MPa
VFD225-8,0	DN25	8	1.6 MPa
VFD225-10	DN25	10	1.6 MPa
VFD232-12,5	DN32	12.5	1.6 MPa
VFD232-16	DN32	16	1.6 MPa
VFD240-20	DN40	20	1.6 MPa
VFD240-25	DN40	25	1.6 MPa
VFD250-31,5	DN50	31.5	1.6 MPa
VFD250-40	DN50	40	1.6 MPa

## Technical data

Max. diff. Pressure	1.6 MPa
Flow characteristics	Equal percentage
Temperature range	-5...+150°C
Media	Hot, cold or glycol-mixed water and steam
Connection	Male threaded according to ISO 228/1. Delivered with connections according to dimension drawing below
Stroke	20 mm
Pressure class	PN16
Rangeability	100:1
Leakage	0,0 % of the kvs value (PTFE gasket, carbon-filled, 25 %)
Material	
Body	Gunmetal 1400 LG2
Seat	Stainless steel 304S15
Stem	Stainless steel 303S31
Plug	Stainless steel 303S31
Packing box	Dezincification resistant brass CW 602N, self-adjusting teflon (o-ring viton)
O-ring	Viton
Soft sealing	PTFE (25 % carbon)
Connections	
Nut	Cast iron, galvanized
Nipple	Dezincification resistant brass CW 602N
Fitting seal	Novatec Premium 2, Nitrile bonded aramid fibre with graphite

## Dimensions

DN	A	H1	H2	G1	G2
15	100	53	70	G 1"	G ½"
20	100	56	70	G 1 ¼"	G ¾"
25	105	67	70	G 1 ½"	G 1"
32	105	67	70	G 2"	G 1 ¼"
40	130	81	70	G 2 ¼"	G 1 ½"
50	150	86	70	G 2 ¾"	G 2"



## Pressure drop diagram

