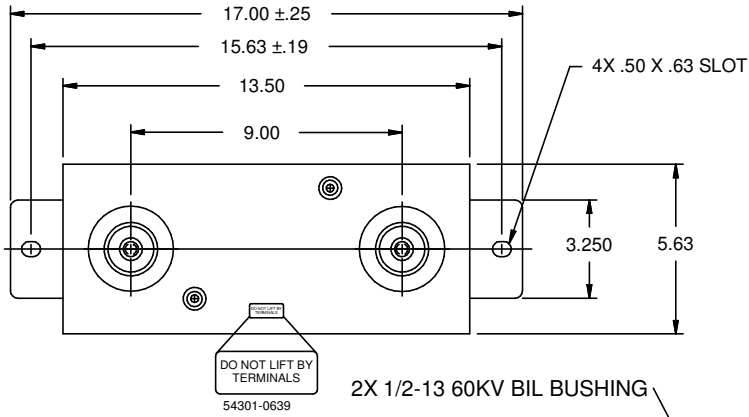
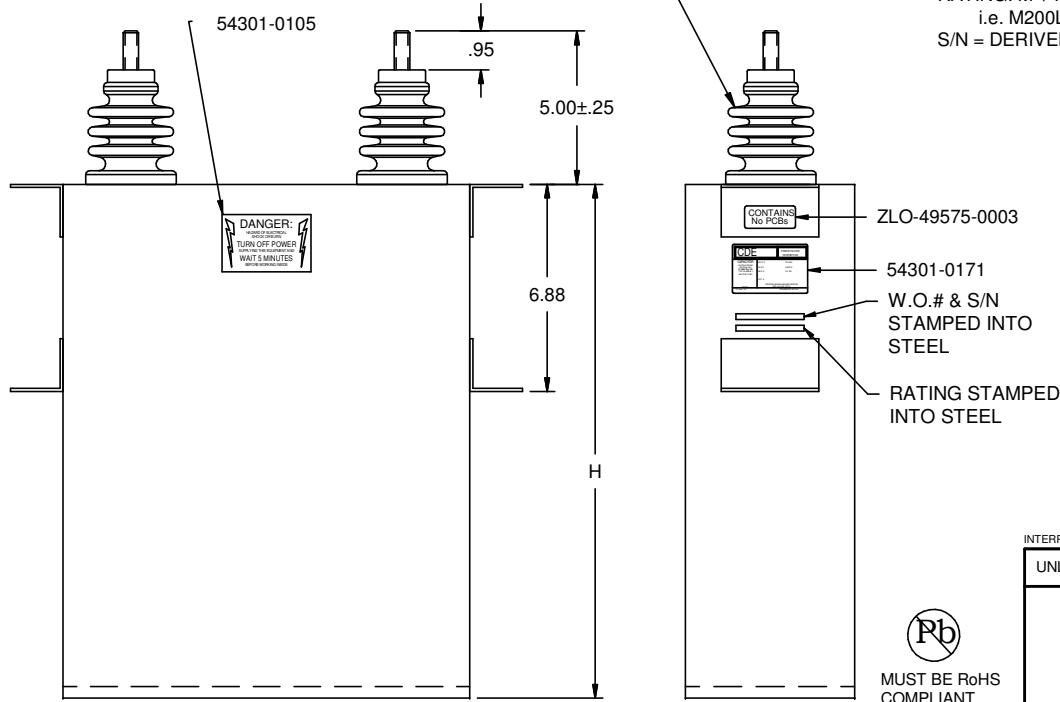


REV	DESCRIPTION	BY	DATE	APPR
A	QUOTE DRAWING	MDD		



NOTES:
 1 CASE MATERIAL: 16GA. CRS.
 2 FINISH: 1 COAT PRIMER & 1 COAT GREY PAINT.
 3 MARKINGS: PRINTED CORNELL DUBILIER POWER FACTOR LABELS.
 STAMPING INFO:
 RATING: M + KVAR + VOLT CODE + # PHASES + # TERM'S + DATE CODE.
 i.e. M200L12(YR/WK)
 S/N = DERIVED FROM QUANTITY PER WORK ORDER, i.e. 1,2,3 ETC TO WO QUANTITY.



1600V 1 PHASE		
KVAR	CAT. NO.	H
225	MMP0225X12MT	22.0"

UNLESS OTHERWISE SPECIFIED				DRAWN BY M. DESRUISSEAU 6/28/2021		CD AERO <small>167 JOHN VERTENTE BLVD., NEW BEDFORD, MA 02745 USA</small>
DRAWING IN INCHES .000 ± .06 .00 ± .12 FRACTIONS ± 1/8 ANGLES ± 0° 30'		CHECKED BY	NAME	5/7/2021		
		APPROVED BY	NAME	5/7/2021		
CAD NO. 1648		SCALE N/A		SHEET 1 OF 1		TITLE CAPACITOR OUTLINE
		THIRD ANGLE PROJECTION		MMP0225X12MT		DWG NO. SPR1648

NOTICE: THIS DOCUMENT IS THE PROPERTY OF CD AERO, LLC AND IS DELIVERED ON THE EXPRESS CONDITION THAT IT IS NOT TO BE DISCLOSED, REPRODUCED IN WHOLE OR IN PART, OR USED FOR THE MANUFACTURE FOR ANYONE OTHER THAN CD AERO, LLC WITHOUT WRITTEN CONSENT; AND THAT NO RIGHT IS GRANTED TO DISCLOSE OR USE ANY INFORMATION CONTAINED IN THIS DOCUMENT.

MUST BE RoHS COMPLIANT

= CONTROL CHARACTERISTICS