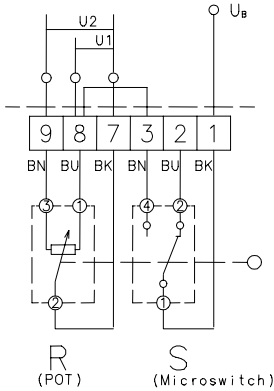


Series F1 UN

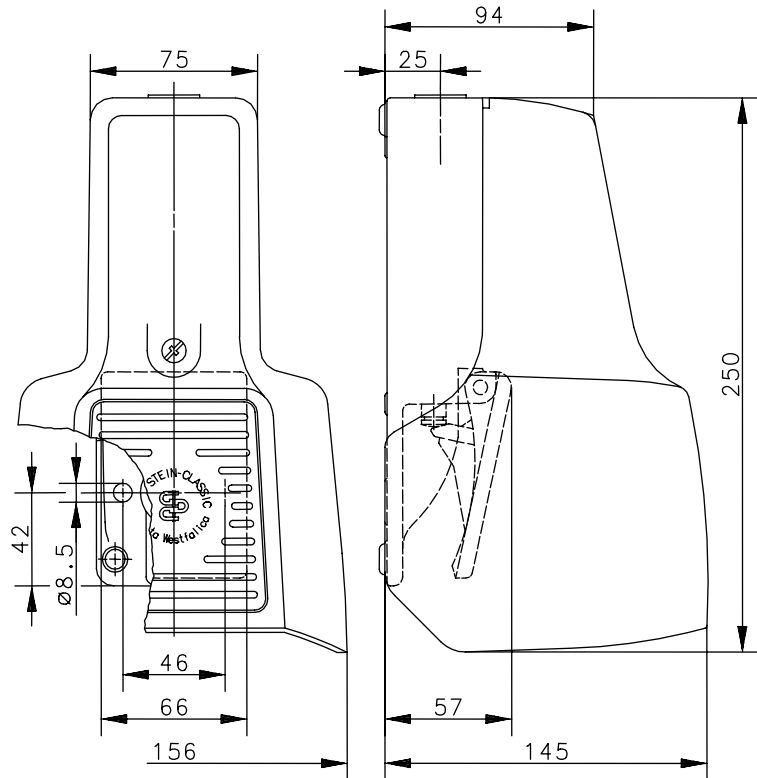
Description **F1-SU1 MI RG 5K0,5W UN**

Article number **6161800662**

Connection example



Wiring diagram



Electrical data		Microswitch	Potentiometer (POT)
Calibration current	I	5A	—
Sliding contact	I	—	< 0,1µA
Load	P	—	0,5W/40°C
Rated insulation voltage	U _i	250V AC	—
Max. enduring current	U _{max}	250V AC	$\sqrt{P \times R}$ [V]
Connection resistance	R	—	5KΩ ±20%
Short-circuit protective device		—	Fuse
		—	F 10mA
Protection class		I (referred to the complete foot-switch)	

This document will not become the contractual basis; the details included herein do not constitute any descriptions of expected conditions, so that warranties/claims for defects on account of possible variations of the actual qualities from the qualities described herein are explicitly excluded. All rights reserved. Specifications subject to change without notice!

Date of issue: 14.06.2007 / Page 1 of 2
Document: 6161800662_en / Last update: 1 / 2410-07

Technical Data

Foot-switch

Mechanical data		
Enclosure		AL
Protective guard (Accident protection cover UN)		AL
Actuator		Foot lever (PA)
Ambient air temperature		-25°C ... +80°C
Contact type		1 changeover, 1 potentiometer (5kΩ)
Operating force		Approx. 10N (pedal centre)
Mechanical life	Microswitch	10 x 10 ⁶ operating cycles
	Potentiometer	1 x 10 ⁶ movements
Switching frequency		max. 20/min
Assembly		2 x M8
Connection		screw terminals (M2)
Number of connections		6 x M2
Protection ground		2 x M4
Conductor cross-sections		Solid: ≤ 1mm ²
		Litz wire with or without ferrules: ≤ 1mm ²
Cable entrance		1 x M20x1,5
Weight		Approx. 1,4kg
Protection type		IP65 in accordance with IEC/EN 60529
Regulations Microswitch		DIN EN 61058-1 (VDE 0630 Teil 1): 1993-05
		DIN EN 61058-1: 1992 ÷ A1: 1993-05
		Low voltage guideline 73/23/EWG
EU Conformity		CE

Notes

Not used tapped holes must be closed with pegs. The degree of protection (IP code) specified applies solely to a properly closed cover and the use of an at least equivalent cable gland or blind plugs.