

FEELUX

FLX Stix NDV

LED for Display, Cabinet, Furniture & Cove

Little light, Big punch!!



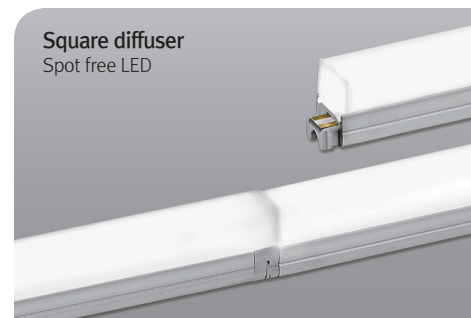
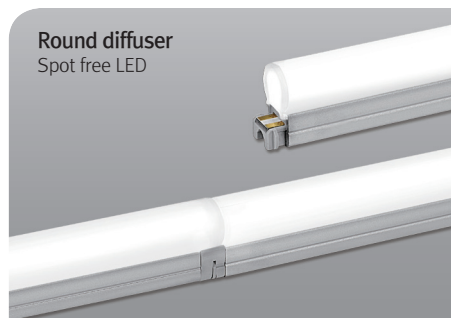
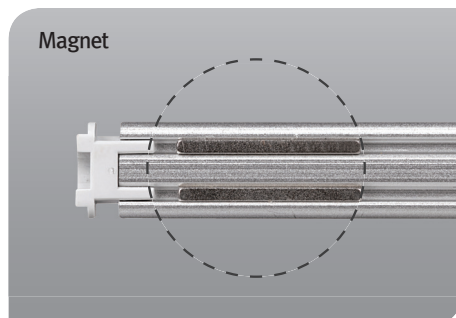
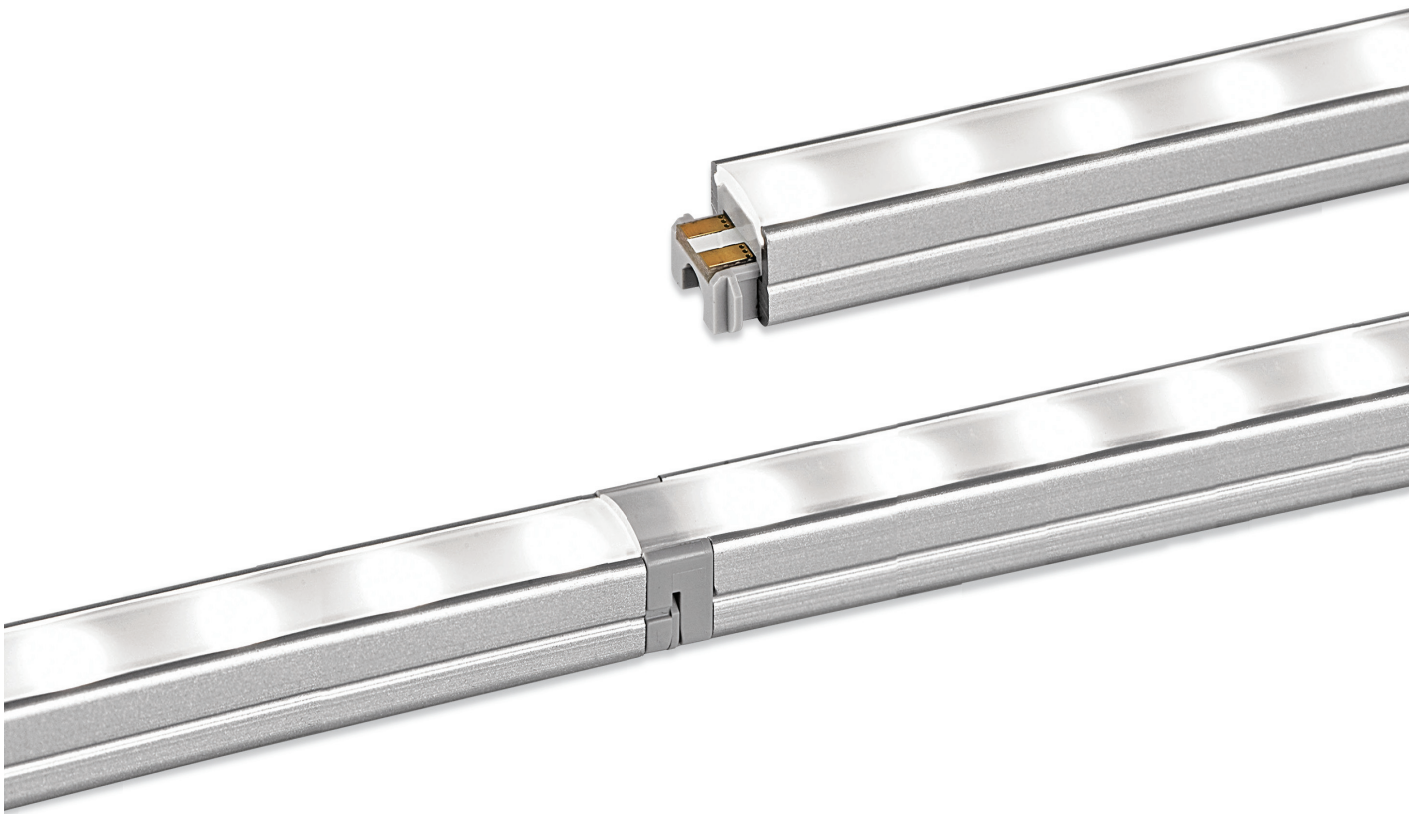


Product Features

- Super Slim linear LED with standard output
- Quick connection system between fixtures
- Many lengths available
- Various mounting methods including magnetic
- To be used with constant voltage DC 24V driver
- Dimmable with available accessories

Specification

- Voltage : DC 24V
- Operating temperature : 0~45° C
- Lamp life : 40,000hr/70%
- Available color : 2700K, 3000K, 3500K, 4000K, 6000K
- Color rendering : Ra > 85
- Energy efficiency : 75lm/W
- Degree of protection IP20





FLX Stix NDV
Standard Output



FLX Stix NDV 1W length (100 mm)



FLX Stix NDV 2 3W length (192 mm)



FLX Stix NDV 4W length (285 mm)



FLX Stix NDV 7W length (565 mm)

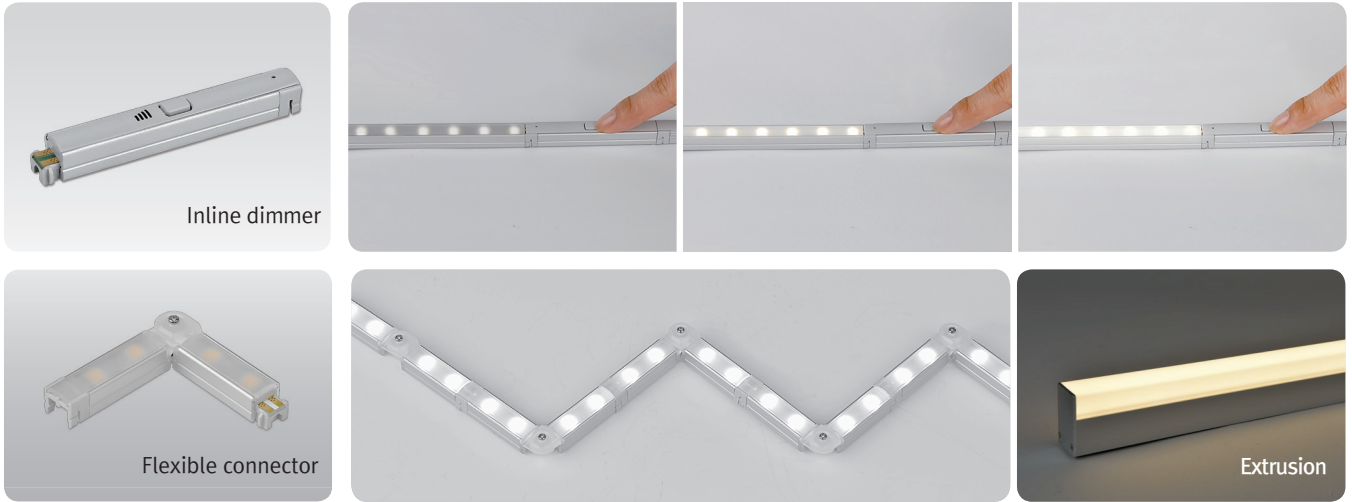


FLX Stix NDV 11W length (845 mm)

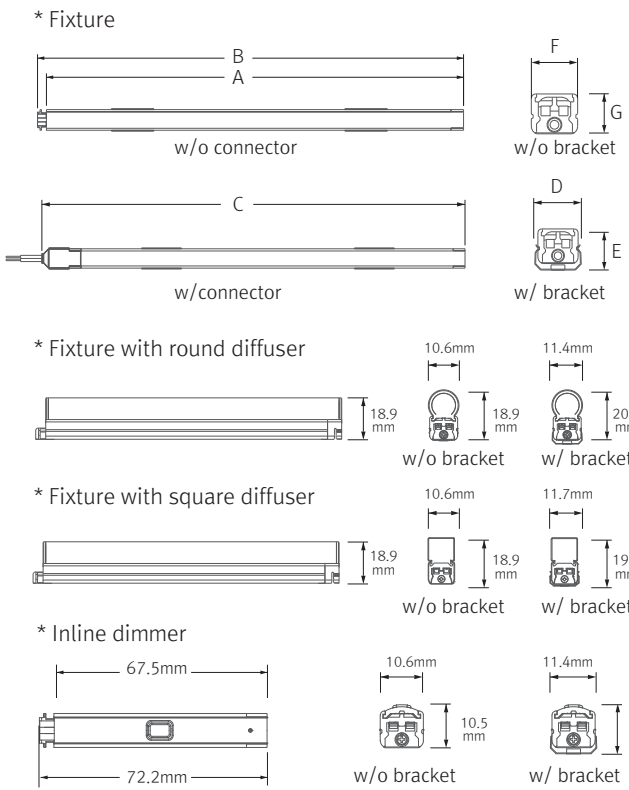


FLX Stix NDV 15W length (1123mm)

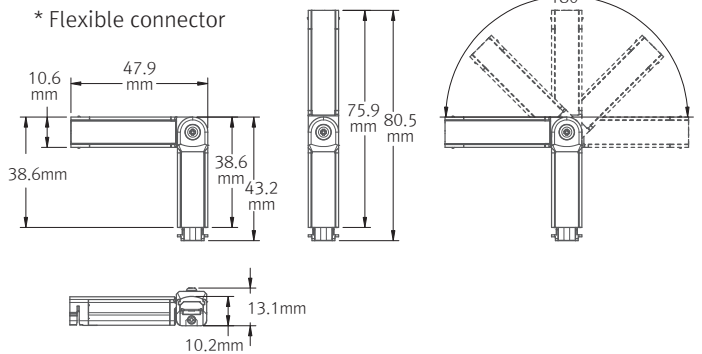
Various options



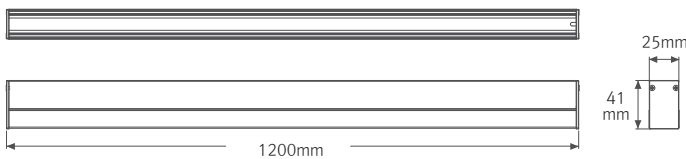
Dimension



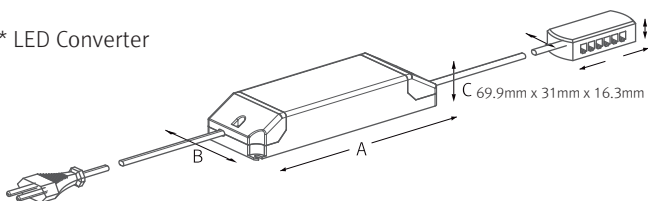
Model Name	Power Input (V)	Lamp Power (W)	A (mm)	B (mm)	C (mm)	D (mm)	E (mm)	F (mm)	G (mm)
NDV1 40K-24V	DC 24	1.2	95	100	117	12	11	10.6	9
NDV3 40K-24V	DC 24	2.4	188	192	210	12	11	10.6	9
NDV4 40K-24V	DC 24	3.5	280	285	302	12	11	10.6	9
NDV7 40K-24V	DC 24	7	560	565	582	12	11	10.6	9
NDV11 40K-24V	DC 24	10.5	840	845	862	12	11	10.6	9
NDV15 40K-24V	DC 24	14	1118	1123	1140	12	11	10.6	9



* Extrusion

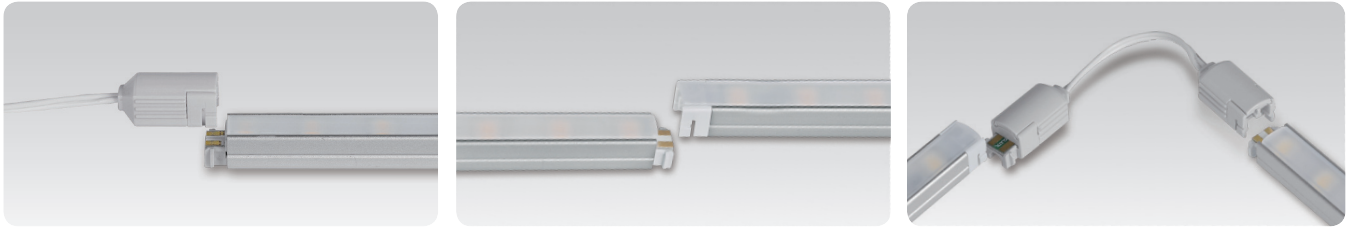


* LED Converter

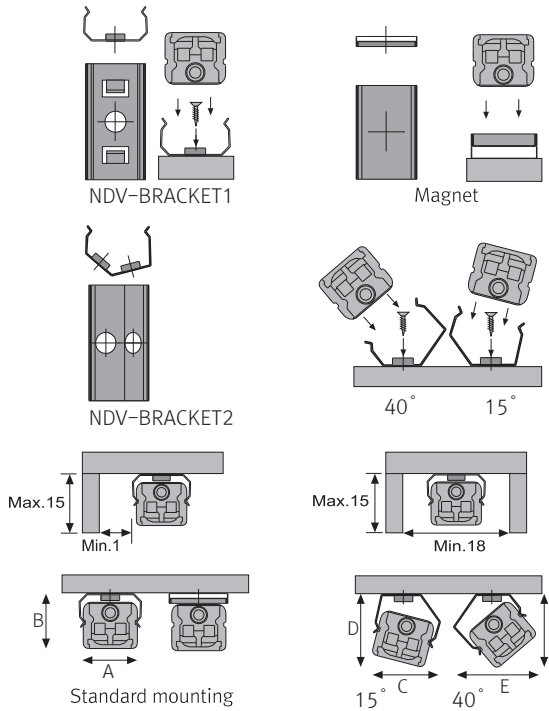


Modle name	A (mm)	B (mm)	C (mm)
FLC15-24V/T	121	45	16
FLC30-24V/T	150	41	31
FLC75-24V/T	180	60	32
FLC200-24V/T	250	65	38

Easy connection



Installation



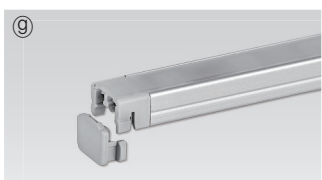
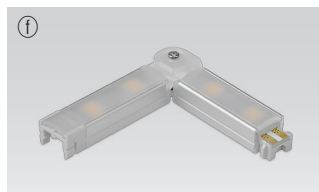
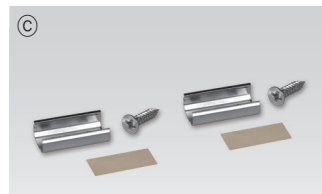
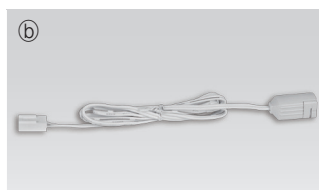
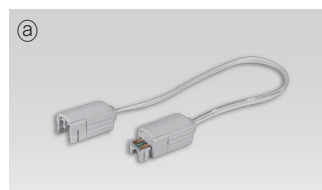
Max. connection

- FLX Stix NDV : 55Watt in one row (single power feed)
- LED Driver

LED Driver Model Name	Max. units for LED Driver			
	24V/15W	24V/30W	24V/75W	24V/200W
NDV1 40K-24V	12	25	62	160
NDV3 40K-24V	5	10	25	66
NDV4 40K-24V	4	7	18	50
NDV7 40K-24V	2	4	10	28
NDV11 40K-24V	1	2	6	18
NDV15 40K-24V	1	2	5	13

	A(mm)	B(mm)	C(mm)	D(mm)	E(mm)	F(mm)
Flat type	11.9	11.2	13.5	13.5	14.5	13
Round type	11.9	19.8	15.7	15.7	18.8	20.3
Square type	11.9	19.6	15.5	15.8	18.8	20.3

Accessories



Ⓐ Connecting cables (Between FLX Stix NDV & FLX Stix NDV)

NDVPTC	NDVPTC1	NDVPTC2	NDVPTC4	NDVPTC6
150mm(6inch)	300mm(1feet)	600mm(2feet)	1200mm(4feet)	1800mm(6feet)

Ⓑ Power feed : NDVPC

Power feed (Between DIVA2 & 6-way distributor)

Ⓒ Mounting bracket : NDV-BRACKET 1

Included in fixture

Ⓓ Angle bracket (15° & 40°) : NDV-BRACKET 2

Ⓔ Sidefeed for seamless extension (3W) : NDV3 40K-24V-S

The dimension is the same as NDV3 40K-24V
Powered only through cable, no power supply on the connector

Ⓕ Connector : NDV1 40K-24V-FLEX

FLX Stix NDV Flexible connector(1W)

Ⓖ End cap : NDV-CAP

Included in fixture

Ⓖ LED Driver with 6way distributor, with power cord (1800mm)

Part No	FLC15-24V/T	FLC30-24V/T	FLC75-24V/T
Capacity	15W 24V	30W 24V	75W 24V



① LED Driver : FLC200-24V/T (200W 24V)



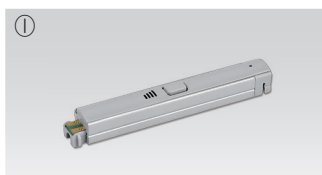
② Dimming Interface (1-10V)

FDC-V10 (Max.48W)
FDC-L10 (Max.100W)

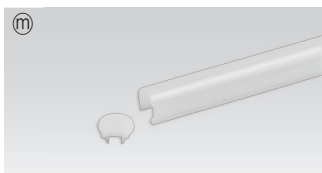


③ Dimming Interface(0-10/1-10,DMX512)

FDA-L2M0 (200W, 2CH)
FDA-L5M (200W , 5CH)

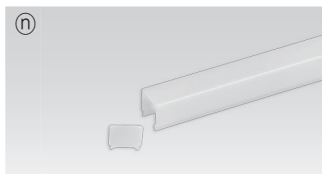


④ Inline dimmer : NDVDIM (Max 55W in a row)



⑤ Round diffuser

NDV1CVRM	NDV3CVRM	NDV4CVRM	NDV7CVRM	NDV11CVRM	NDV15CVRM
1W	3W	4W	7W	11W	15W



⑥ Square diffuser

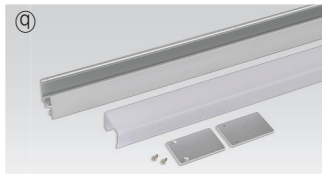
NDV1CVSM	NDV3CVSM	NDV4CVSM	NDV7CVSM	NDV11CVSM	NDV15CVSM
1W	3W	4W	7W	11W	15W



⑦ Door and motion detection sensor (DC) : FLS-M24V



⑧ Human-body detection sensor (DC) : FLS-P24V



⑨ Extrusion (1.2m)



⑩ Connecting bracket : NDV-BRACKET3

Included in fixture



⑪ Power bracket : NDV-BRACKET4

Provided with power feed (NDVPC)