



1000 Series Inverted Bucket Steam Trap

All Stainless Steel for Vertical Installation

For Pressures to 650 psig (45 bar)...Capacities to 4,400 lb/hr (2,000 kg/hr)

Steam Trapping and Steam Tracing Equipment

Description

Armstrong 1000 Series stainless steel inverted bucket steam traps normally last three to four times longer than conventional traps used in identical services. Heat-treated stainless steel valves and seats are of the same design, material and workmanship as those used in traps for pressures up to 900 psig and temperatures to 900°F. More compact than cast iron or carbon steel equivalents, 1000 Series traps are ideal for trapping applications such as tracer lines, steam mains and heating/process applications.

The 1000 Series are guaranteed for three years.

Maximum Operating Conditions

Maximum allowable pressure (vessel design):

Model 1010, 1011:	400 psig @ 800°F (28 bar @ 427°C)
Model 1022:	650 psig @ 600°F (45 bar @ 316°C)
	627 psig @ 700°F (43 bar @ 371°C)
	604 psig @ 800°F (41.6 bar @ 427°C)
Model 1013:	450 psig @ 800°F (31 bar @ 427°C)

Maximum operating pressure:

Model 1010:	150 psig (10 bar)
Model 1011:	400 psig (28 bar)
Model 1022:	650 psig (45 bar)
Model 1013:	450 psig (31 bar)



Connections

Screwed NPT and BSPT
Socketweld

Materials

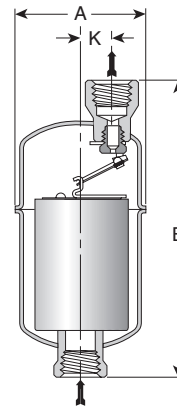
Body:	ASTM A240 Grade 304L
Internals:	All stainless steel—304
Valve and seat:	Hardened chrome steel—17-4PH or Titanium

Options

- Stainless steel internal check valve
- Thermic vent bucket 250 psig (17 bar) maximum;
for Model 1022 15 psig (1 bar) maximum
- Wiggle wire

Specification

Inverted bucket steam trap, type ... in all stainless steel, freeze resistant, without gaskets, with continuous air venting at steam temperature, free-floating stainless steel mechanism, and orifice at the top of the trap.



Model 1010 Trap

How to Order

Specify:

- Model number
- Size and type of pipe connection
- Maximum working pressure that will be encountered or orifice size
- Any options required

For a fully detailed certified drawing, refer to:

1010 and 1011	CD #1006
1022	CD #1204

1000 Series Traps								
Model No.	1010		1011		1022		1013	
	in	mm	in	mm	in	mm	in	mm
Pipe Connections	1/2, 3/4	15, 20	1/2, 3/4	15, 20	3/4	20	1	25
"A" (Diameter)	2-3/4	69.9	2-3/4	68.9	3-7/8	100	4-1/2	114
"B" (Height)	6-1/16	168	7-1/4	184	8-13/16	224	11-3/8	289
"K" (∅ Inlet to ∅ Outlet)	9/16	14.3	9/16	14.3	3/4	18	1-3/16	30.2
Weight lb (kg)	1-1/2 (0.7)		1-3/4 (0.8)		4 (2)		7-1/2 (3.4)	

Designs, materials, weights and performance ratings are approximate and subject to change without notice. Visit armstronginternational.com for up-to-date information.

1000 Series Inverted Bucket Steam Trap

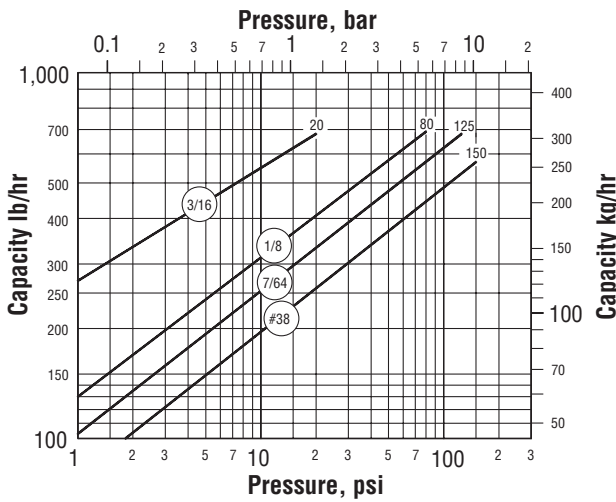
All Stainless Steel for Vertical Installation

For Pressures to 650 psig (45 bar)...Capacities to 4,400 lb/hr (2,000 kg/hr)

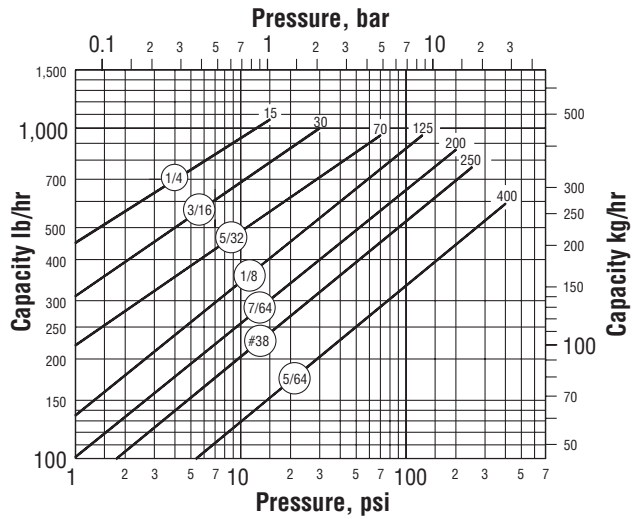


Steam Trapping and
Steam Tracing Equipment

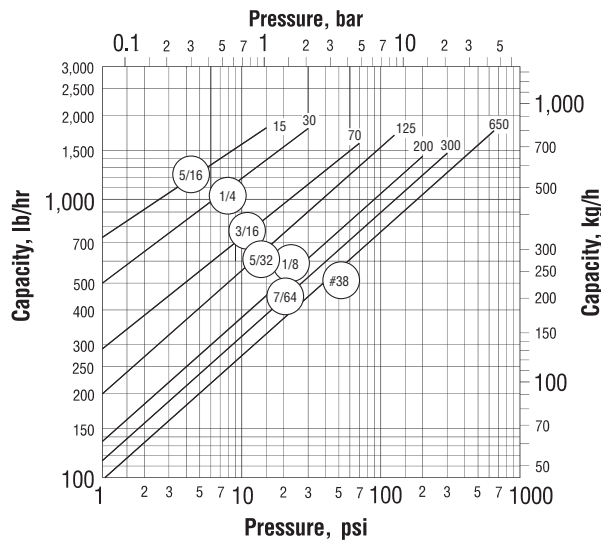
Model 1010 Capacity



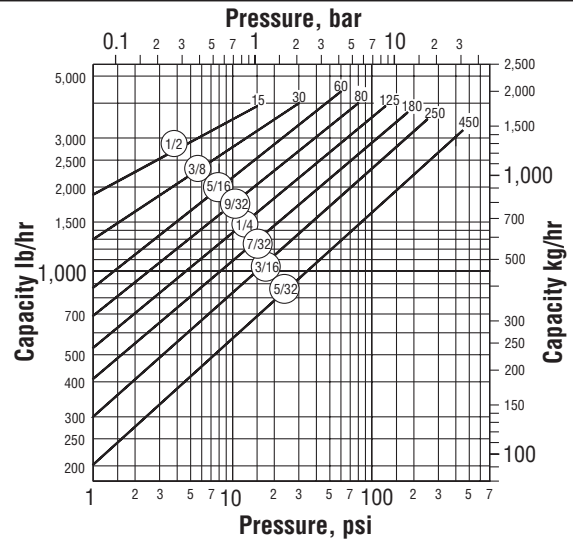
Model 1011 Capacity



Model 1022 Capacity



Model 1013 Capacity



Designs, materials, weights and performance ratings are approximate and subject to change without notice. Visit armstronginternational.com for up-to-date information.